

Ramset Service Parts



Effective 1/5/2015

www.ramset.com

www.itwconstructionparts.com

Ramset Factory Direct Tool Repair and Replacement Part Orders

Effective October 1, 2012, all Ramset tool repairs and parts orders have been moved to ITW Construction and Service Parts in Lake Forest IL.

Tool Repair Service and Warranty

Log on to www.ramsetrepair.com to send your tool in for service. Upon setting up an account, you can send the tool(s) directly to the Lake Forest, IL service center for factory repair.

- Upfront Pricing – see website for details
- UPS ground shipping included – Both ways!
- Emailed updates regarding repair status
- Top Factory Repair Technicians

Tools are shipped to:

ITW Construction Service and Parts
Ramset Tool Service
13825 West Business Center Drive
Unit A
Lake Forest, IL 60045



Replacement Parts Orders

Log on to www.itwconstructionparts.com or www.sendmyparts.com to order some of the more common replacement parts via the website.

- Be sure to watch for the coupon codes on the website!

Part orders can be faxed or emailed to:

- Fax Orders: 800-529-8680
- Email Orders: spcustomer.service@itwserviceparts.com



To check status of orders Construction Parts Customer Service can be reached at: 800-634-7373

Schematics and Manuals

Tool Schematics, Operators Manuals, Repair literature and general information can still be found on the Ramset website: www.ramset.com/repair.asp

ORDER BY FAX OR EMAIL

f: 800-529-8680 e: spcustomer.service@itwserviceparts.com

Service Policy	5
Tools and Accessories.	7
Pole Tool Assembly: EPOL6 & EPOL8	8
Gas Tools	
TrakFast TF1100	
TF1100 Handle Assembly (Part 1)	10
TF1100 Handle Assembly (Part 2)	12
TF1100 Housing Assembly Original Nose Before Serial No. 301080281.	14
TF1100 Housing Assembly Telescoping Nose After Serial No. 301080281	16
TF1100 TRAKFAST One-Piece Nose After Serial No. 308100247, OCT. 2008	18
TF1100 Magazine Assembly.	20
TrakFast TF1200	
TF1200 Motor Assembly	22
TF1200 Handle Assembly	24
TF1200 Magazine Assembly.	26
T3SS	
T3SS Nose & Housing Assembly	28
T3SS Cylinder Head Assembly	30
T3SS Handle Assembly	32
T3MAG	
T3 Magazine Nose Assembly	34
T3 Magazine Assembly	36
T3 Magazine Cylinder Head Assembly	38
T3 Magazine Handle Assembly	36
GypFast Gas tool.	42
G2 Gas tool	54
Air Tools	
GypFast Air	62
GypFast Air HD.	72
Single Shot Tools	
721	82
RS22.	84
Mastershot	86
Disc Tools	
D45A	88
D60	90
Strip Tools	
R25	92
SA270G.	94
Cobra	96
Viper III Plastic Housing	98
Viper 4	100
XT540.	102
Warranty Periods.	104

ORDER BY FAX OR EMAIL

f: 800-529-8680 e: spcustomer.service@itwserviceparts.com

Servicing of any ITW Ramset tools at one of Ramset's factory repair locations will follow a 3 level pricing structure based on the repair complexity. Service levels are priced competitively and provide an upfront cost to the repair. These levels are unique to the tool model being serviced, and are designed to replace only those components as needed or identified as potential problems. Pricing includes parts, labor, and return shipping via UPS ground.

Examples of the repairs performed at each level are listed below. Please be aware that the descriptions are only examples, and each tool repair will be different. Follow the price matrix below and cross reference the tool needing repair with the possible level of required repair. Pricing level will be determined by the repair technician after evaluating the needs of the tool. Repairs will not exceed ADVANCED pricing for the applicable tool model.

PRICE MATRIX:

	Basic	Intermediate	Advanced
	<i>Each tool is completely disassembled, thoroughly inspected, power cleaned, and the piston is dressed.</i>		
Powder Tools	Typical repairs may include items such as a pawl, buffer or spring.	Typical repairs may include items such as a piston, or fastener guide.	Typical repairs may include items such as a barrel, or tool body.
<i>Viper, Cobra, R25, 721</i>	\$83	\$117	\$156
<i>SA270, Rocket, XT540 All Disc Tools (D45, D45A, D60, AutoFast)</i>	\$89	\$156	\$201
Gas Tools	Typical repairs may include items such as O-rings, piston rings, and an air filter.	Typical repairs may include all wear parts in addition to the actuator, piston, work contact element, or head switch.	Typical repairs may include all wear parts in addition to a sleeve assembly, nose piece, or fan motor.
<i>TF1100, TF1200, T3MAG, T3ss, GypFast, MINI, T2, 150 Series</i>	\$122	\$191	\$272
Pneumatic Tools	Typical repairs may include items such as roll pins, springs, and yoke tip.	Typical repairs may include all wear parts in addition to the gate or valve assembly.	Typical repairs may include all wear parts in addition to a piston assembly, safety yoke assembly, or nose assembly.
<i>GypFast Air, GypFast AIR HD</i>	\$122	\$191	\$272

SHIPPING: All pricing includes return shipping via UPS ground. Shipping can be upgraded at the customer's expense.

ESTIMATES: : Tool repair estimates are not provided unless specifically requested by the party sending the tool in for repair. If the estimate is approved there will be a \$25.00 per tool estimate fee in addition to the cost of repair. If the estimate is not approved, the tool will be returned UNASSEMBLED and a \$50.00 per tool estimate fee will be charged. If Ramset provides an estimate and receives no reply after 30 days, the tool will be returned UNASSEMBLED and a \$50.00 per tool estimate fee will be charged.

DISTRIBUTOR PRICING: Authorized Ramset Distributors will still receive a discount off list pricing. For any questions please contact your Ramset sales representative.

RAMSET FACTORY REPAIR LOCATIONS:

CHICAGO AREA:

ITW Construction Service and Parts
 Ramset Tool Service
 13825 West Business Center Drive, Unit A
 Lake Forest, IL 60045
 Phone: 800-726-7386 • Fax: 847-247-4994 • email: toolrepair@itwserviceparts.com

ORDER BY FAX OR EMAIL

f: 800-529-8680 e: spcustomer.service@itwserviceparts.com

PART NO.

DESCRIPTION

GENERAL

1613	SAFETY GLASSES
PATCK	UNIVERSAL POWDER TOOL CLEANING KIT
300064	PLASTIC POWDER ACTUATED TOOL BOX

VIPER POLE

2VP31	CONNECTOR FOR STANDARD VPOL POLE TOOL
2VP41	CONNECTOR FOR TELESCOPING TVPOL POLE TOOL

GAS

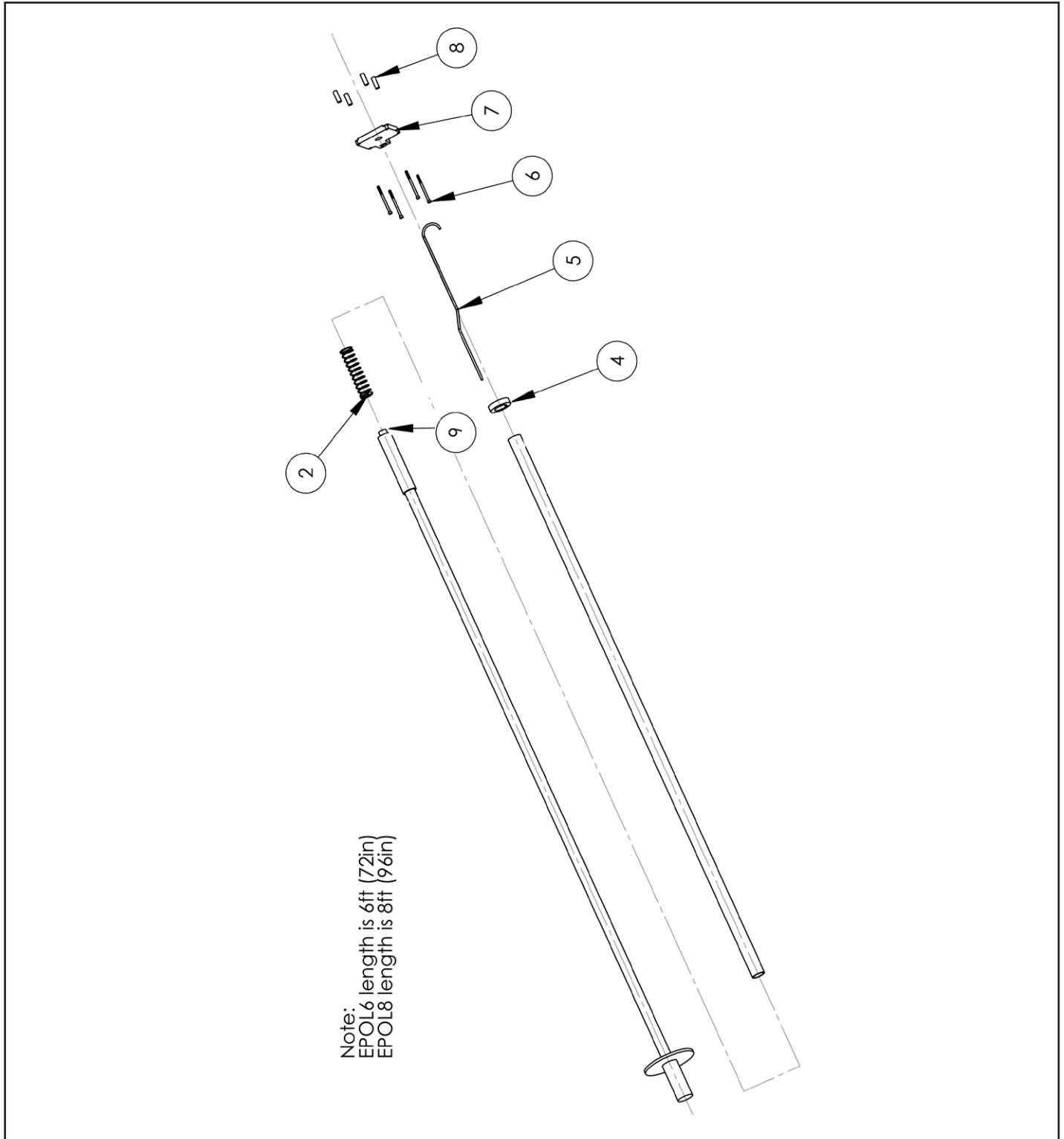
7505012	BATTERY (TF1100)
B0092	BATTERY (T3 TOOLS)
405176	BATTERY (GYPFAST TOOLS)
7505142	BATTERY CHARGER (E/M/T/R150 & T2)
B0021	AC/DC WALL MOUNT PLUG ADAPTER (FOR B0022 CHARGER)
B0022	BATTERY CHARGER (NEW STYLE) WITH WALL MOUNT PLUG
B0237	T3MAG METAL DISC HOLDING PROBE
2761910	GYPFAST GAS METAL DISC HOLDING PROBE
100018	TF1100 ONE PIECE NOSE METAL DISC HOLDING PROBE
7505117A	CARRY CASE W/ CARTON & LABEL
M150200	MAGNETIC WORK CONTACT ELEMENT (T3ss/R150)
100041LA	TF1200 METAL DISC HOLDING PROBE

AIR

2731910	GYPFAST AIR TOOL METAL DISC HOLDING PROBE
---------	---

ORDER BY FAX OR EMAIL

f: 800-529-8680 e: spcustomer.service@itwserviceparts.com



ORDER BY FAX OR EMAIL

f: 800-529-8680 e: spcustomer.service@itwserviceparts.com

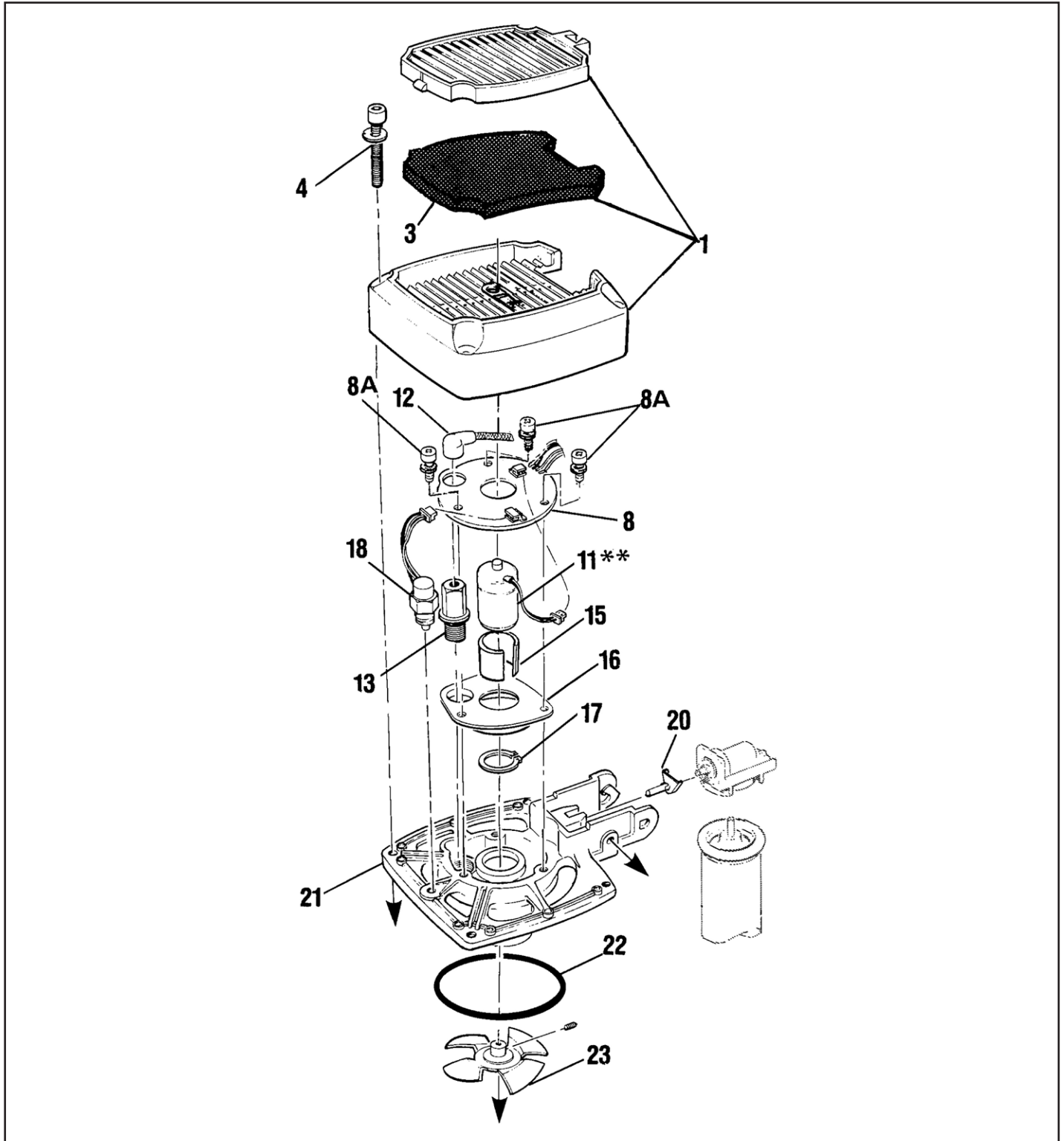
**EPOL6 & EPOL8 POLE TOOL
ASSEMBLY PARTS LIST**

KEY	PART NO.	DESCRIPTION
2	EPSRING	SPRING FOR EPOL6
4	T3POLECLAMP	CLAMP
5	T3TRIGACT	TRIGGER ACTUATOR
6	M5SCHS	SCREW PKG. FOR R150 TOOL
—	10-24SHCS	SCREW PKG. FOR T3 TOOL – 10-24 x 2-3/4"
7	T3POLEBRKT	POLE TOOL BRACKET
8	T3SPACER	SPACER
6, 7, 8	EPKIT1	ATTACHMENT KIT
9	2VP31	POLE CONNECTOR

Note: EPOL6 length is 6 ft (72 in)
EPOL8 length is 8 ft (96 in)

ORDER BY FAX OR EMAIL

f: 800-529-8680 e: spcustomer.service@itwserviceparts.com



ORDER BY FAX OR EMAIL

f: 800-529-8680 e: spcustomer.service@itwserviceparts.com

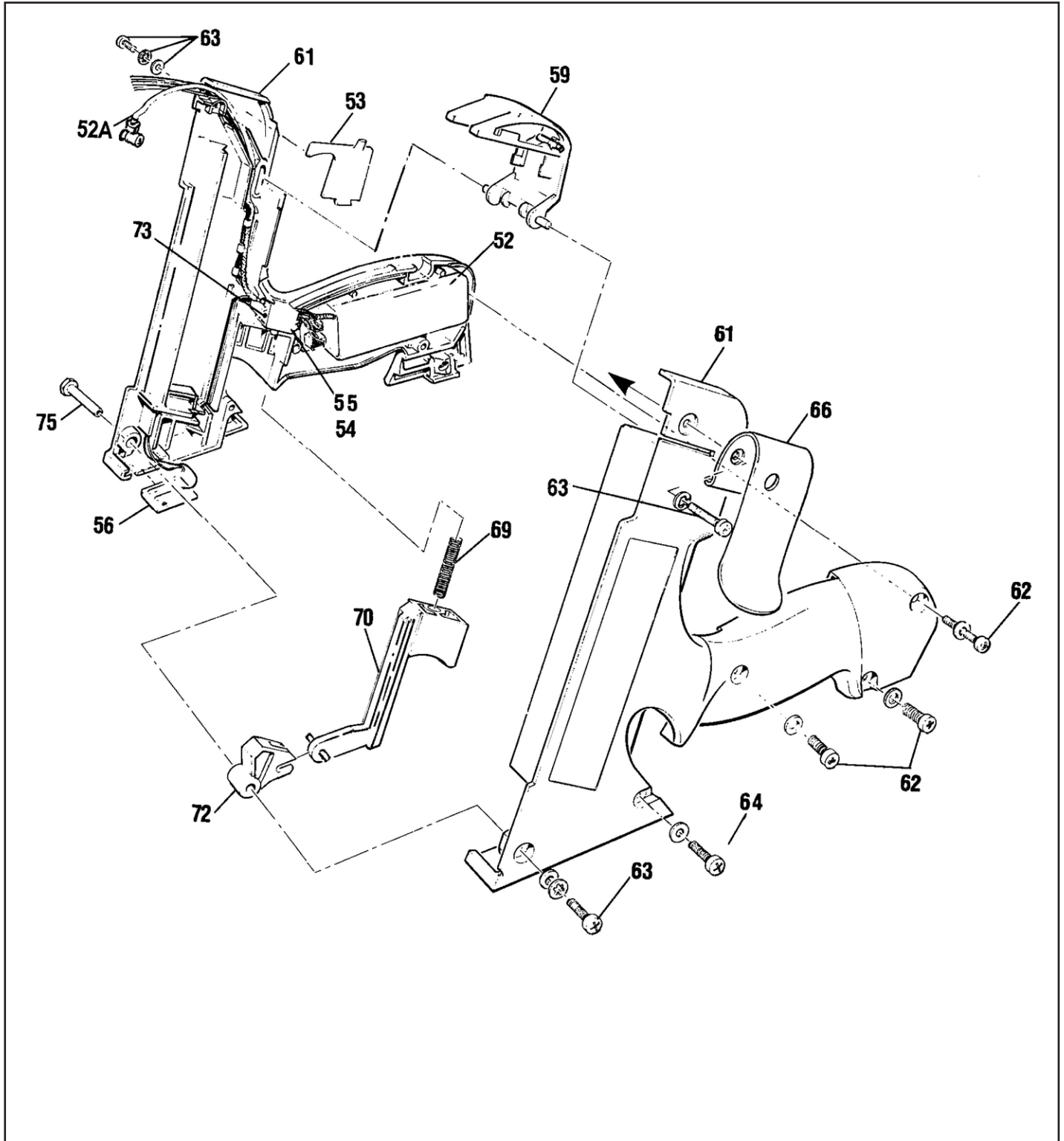
KEY	PART NO.	DESCRIPTION
1	401365	CAP, GRILL & FILTER ASSEMBLY
3	7505018	FOAM FILTER ONLY
4	901065A	SCREW KIT PKG. OF 4
8	900271	P.C. BOARD ASSY.
8A	7405090	P.C. BOARD SCREW (PKG. OF 3)
11	900525A	FAN MOTOR KIT**
12	7505166	SPARK WIRE & BOOT ONLY
13	7505164	BLACK SPARK PLUG (WITH O RING) FOR TOOLS AFTER SN# 398090144
15	401356	MOTOR SLEEVE
16	900470	MOTOR MOUNT
17	401355	MOTOR RETAINING RING
18	404601	HEAD SWITCH ASSEMBLY
20	401340	RED STEM ADAPTER
21	401336	CYLINDER HEAD
22	403992	O-RING (CYLINDER HEAD)
23	403167	FAN BLADE WITH SET SCREW

NOTE: It is important to use all kit parts when replacing the fan motor. Failure to do so will greatly reduce the life of the motor.

** Fan Motor Kit includes: fan motor, motor mount, motor sleeve, snap ring and fan blade.

ORDER BY FAX OR EMAIL

f: 800-529-8680 e: spcustomer.service@itwserviceparts.com



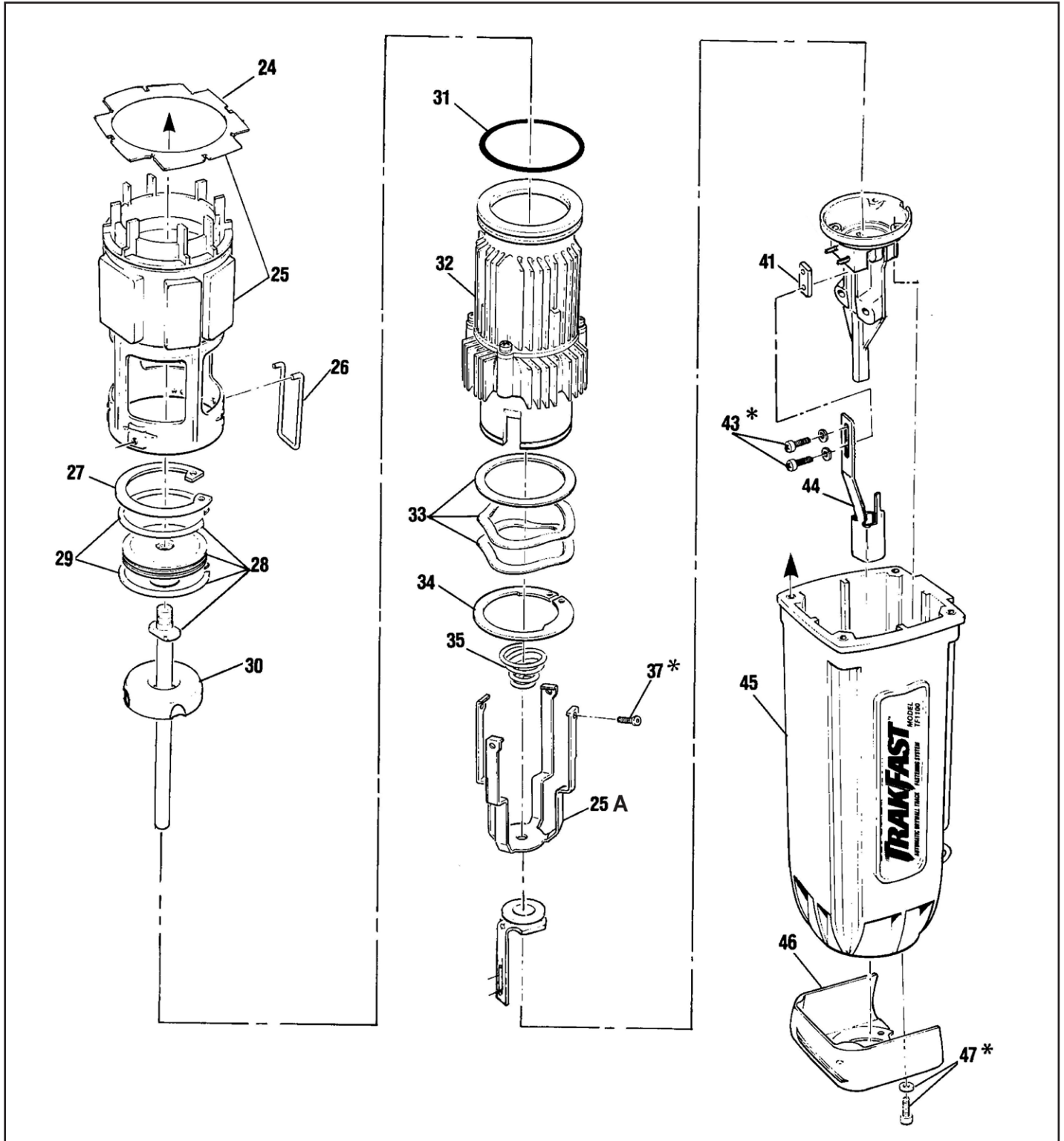
ORDER BY FAX OR EMAIL

f: 800-529-8680 e: spcustomer.service@itwserviceparts.com

KEY	PART NO.	DESCRIPTION
52	7405163	SPARK UNIT
52A	7505166	RED WIRE & BOOT ONLY TOOLS AFTER SERIAL NO.398091440
53	900012	WIRE COVER PLATE
54	404619	INSULATOR (UNDER TRIGGER SWITCH)
55	404490	TRIGGER SWITCH
56	403999	HANDLE CONTACT BOARD
59	401400A	ACTUATOR ASSEMBLY
61	7405148	LEFT & RIGHT SIDE HANDLE HALVES
62	7405067	SCREWS & WASHERS (PKG OF 3) – 6-32 x 1" W/WASHER
63	401408	CAM SCREW – 10-32 x 9/16" W/WASHER
64	401406	SCREW – 6-32 x 1-1/2" W/WASHER
66	401495	BELT HOOK
69	401395	TRIGGER SPRING
70	401394A	TRIGGER ASSEMBLY
72	401396	TRIGGER CAM
73	7405091	TRIGGER SCREWS (PKG. OF 2) – 2-32 x 5/8"
75	401397	CAM BUSHING
—	401450	FUEL CELL PAD (NOT SHOWN)
—	7505021	DANGER LABEL
—	7505025	WARNING LABEL

ORDER BY FAX OR EMAIL

f: 800-529-8680 e: spcustomer.service@itwserviceparts.com



ORDER BY FAX OR EMAIL

f: 800-529-8680 e: spcustomer.service@itwserviceparts.com

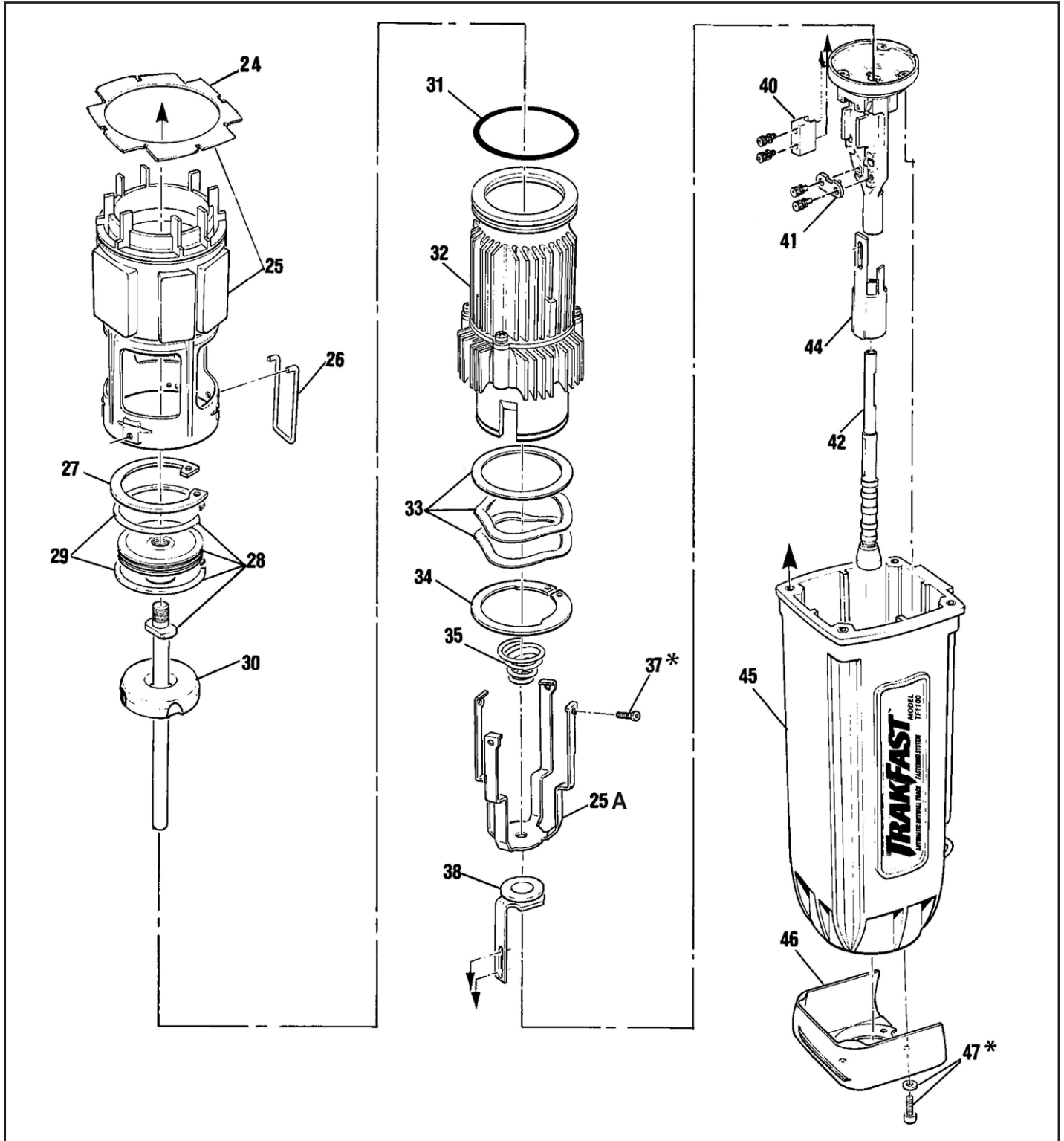
KEY	PART NO.	DESCRIPTION
24	401313	AIR DAM
25	7405171	COMBUSTION CHAMBER
25A	900234	CAGE
26	401330	CHAMBER LOCKOUT BAR
27	401328	PISTON STOP RETAINING RING
28	7502000	PISTON ASSEMBLY (WITH PISTON RING)
29	7405055	PISTON RINGS (PKG. OF 2)
30	7505109	BUMPER
31	404482	O-RING (SLEEVE & MID CHECK)
32	403083	SLEEVE & MID CHECK ASSEMBLY
33	7405056	SEAL (1) WAVE WASHERS (2)
34	401322	MID-CHECK RETAINING RING
35	401488	CAGE SPRING
37	092769	SCREW – 10-32 x 1/4"
41	401380	TIE BAR
44	801116	LOWER PROBE
45	7505148	HOUSING WITH LABELS
46	7505013	DUST SHIELD
47	7405060	CAP SCREW & WASHER

* SCREW- USE LOCTITE 242 (BLUE)

NOTE: TO SERVICE NOSE PIECE USE PART NUMBER 100036 ONE PIECE NOSE UPGRADE KIT.

ORDER BY FAX OR EMAIL

f: 800-529-8680 e: spcustomer.service@itwserviceparts.com



ORDER BY FAX OR EMAIL

f: 800-529-8680 e: spcustomer.service@itwserviceparts.com

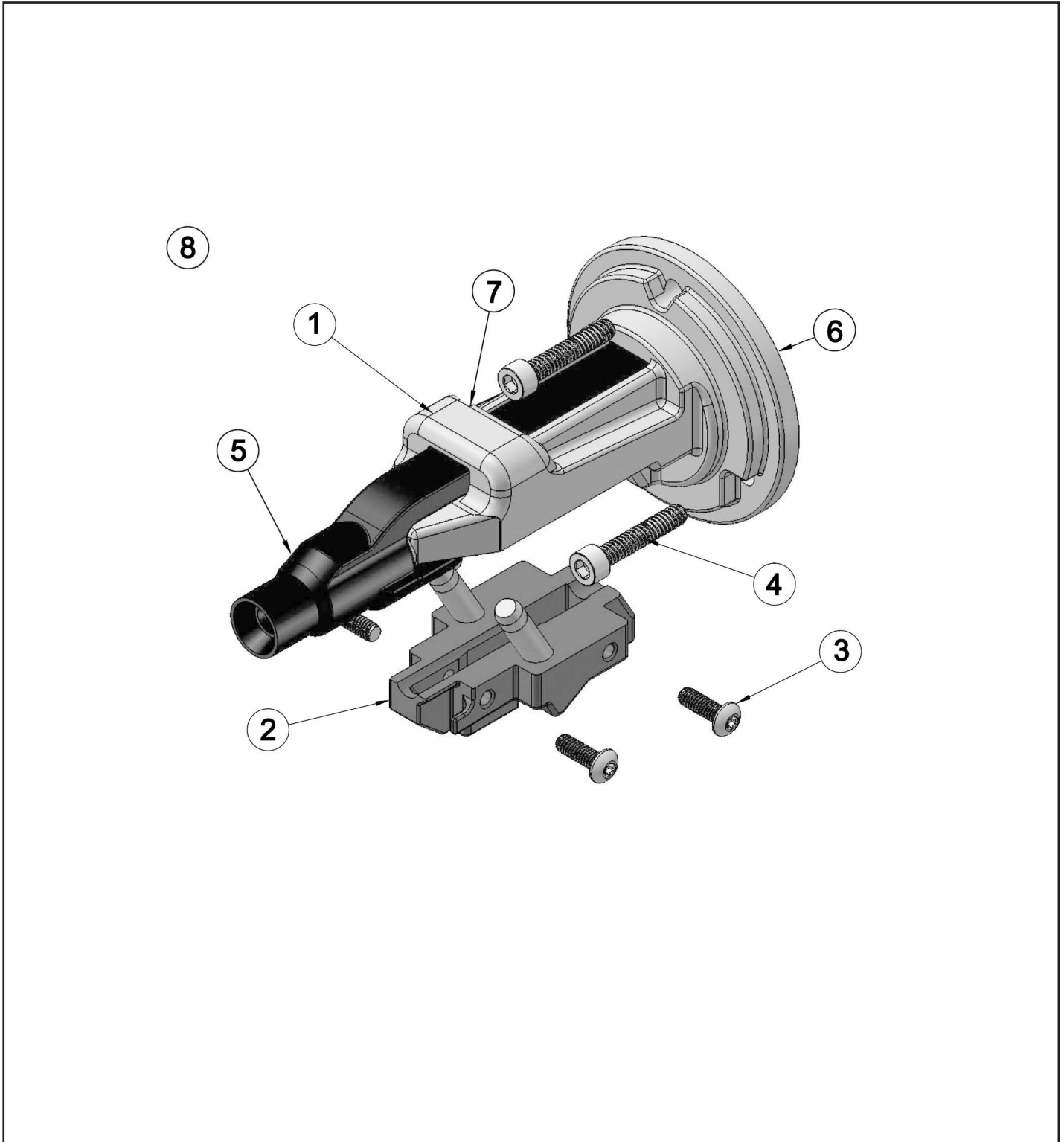
KEY	PART NO.	DESCRIPTION
24	401313	AIR DAM
25	7405171	COMBUSTION CHAMBER (WITH AIR DAM)
25A	900234	CAGE
26	401330	CHAMBER LOCKOUT BAR
27	401328	PISTON STOP RETAINING RING
28	7502000	PISTON ASSEMBLY (WITH PISTON RING)
29	7405055	PISTON RINGS (PKG. OF 2)
30	7505109	BUMPER
31	404482	O-RING (SLEEVE & MID CHECK)
32	403083	SLEEVE & MID CHECK ASSEMBLY
33	7405056	SEAL (1) WAVE WASHERS (2)
34	401322	MID-CHECK RETAINING RING
35	401488	CAGE SPRING
37	092769	SCREW – 10-32 x 1/4"
38	801132	UPPER PROBE WITH GROMMET
40	801131	GUIDE BLOCK
41	801127	STOP PLATE
42	801129	WORK CONTACT ELEMENT
44	801128	LOCKOUT PROBE
45	7505148	HOUSING WITH LABELS
46	7505013	DUST SHIELD
47	7405060	CAP SCREWS & WASHERS – 10-24 x 1"

SCREWS-USE LOCTITE 242 (BLUE)

NOTE: TO SERVICE NOSE PIECE USE PART NUMBER 100036 ONE PIECE NOSE UPGRADE KIT.

ORDER BY FAX OR EMAIL

f: 800-529-8680 e: spcustomer.service@itwserviceparts.com



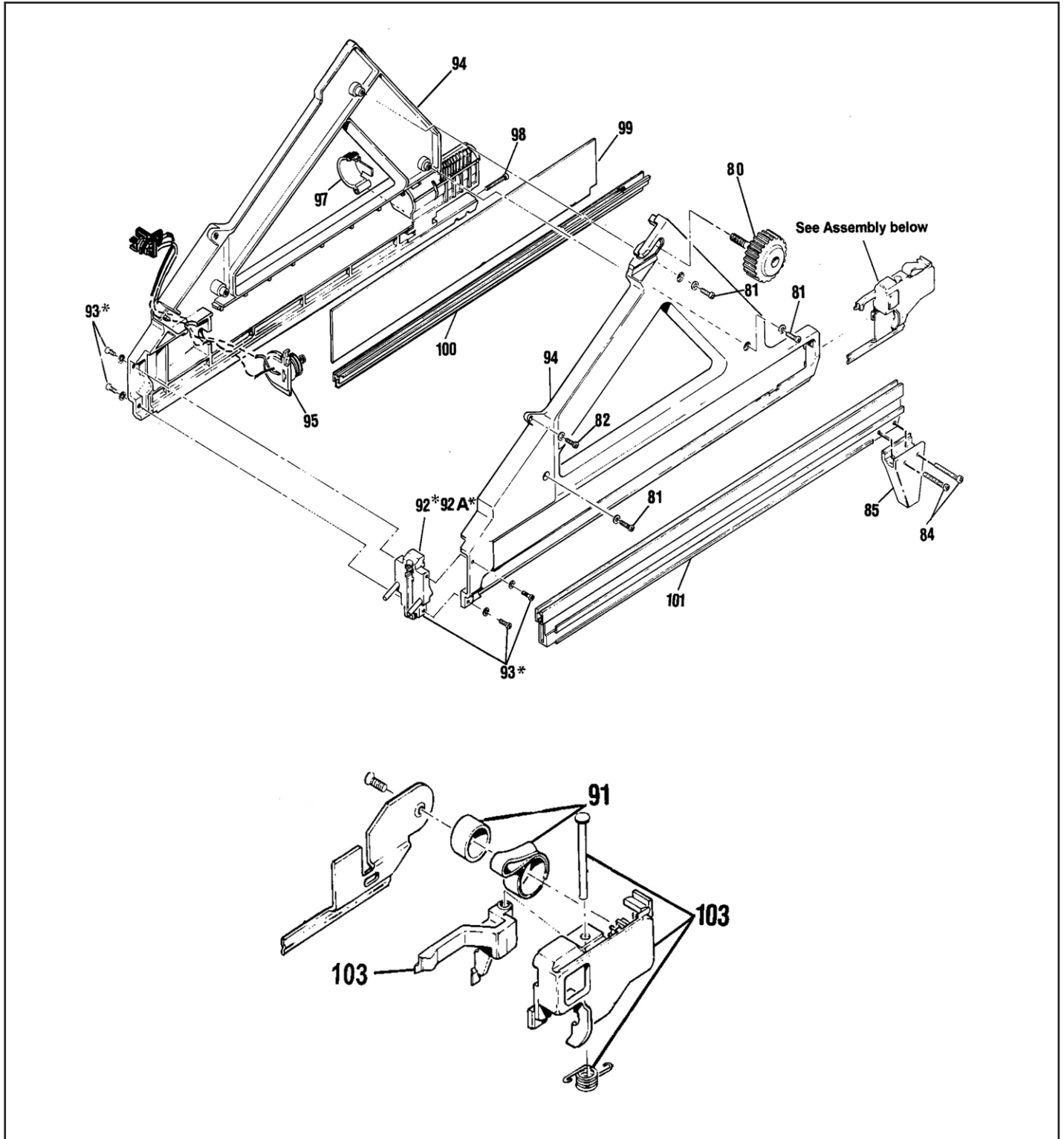
ORDER BY FAX OR EMAIL

f: 800-529-8680 e: spcustomer.service@itwserviceparts.com

KEY	PART NO.	DESCRIPTION
1	100019	ACTUATOR/NOSE ASSEMBLY
2	801118	SHEAR BLOCK
3	7405147	SHEAR BLOCK SCREWS – 8-32 x 1/2"
4	7405060	CAP SCREWS & WASHERS – 10-24 x 1"
5	100013	ACTUATOR/PIN GUIDE
5A	100018	ACTUATOR, MAGNETIC (NOT SHOWN)
6	100016	ONE PIECE NOSE
7	100014	SCREW 6-32 (NOT SHOWN)
8	100036	ONE PIECE NOSE UPGRADE KIT

ORDER BY FAX OR EMAIL

f: 800-529-8680 e: spcustomer.service@itwserviceparts.com



ORDER BY FAX OR EMAIL

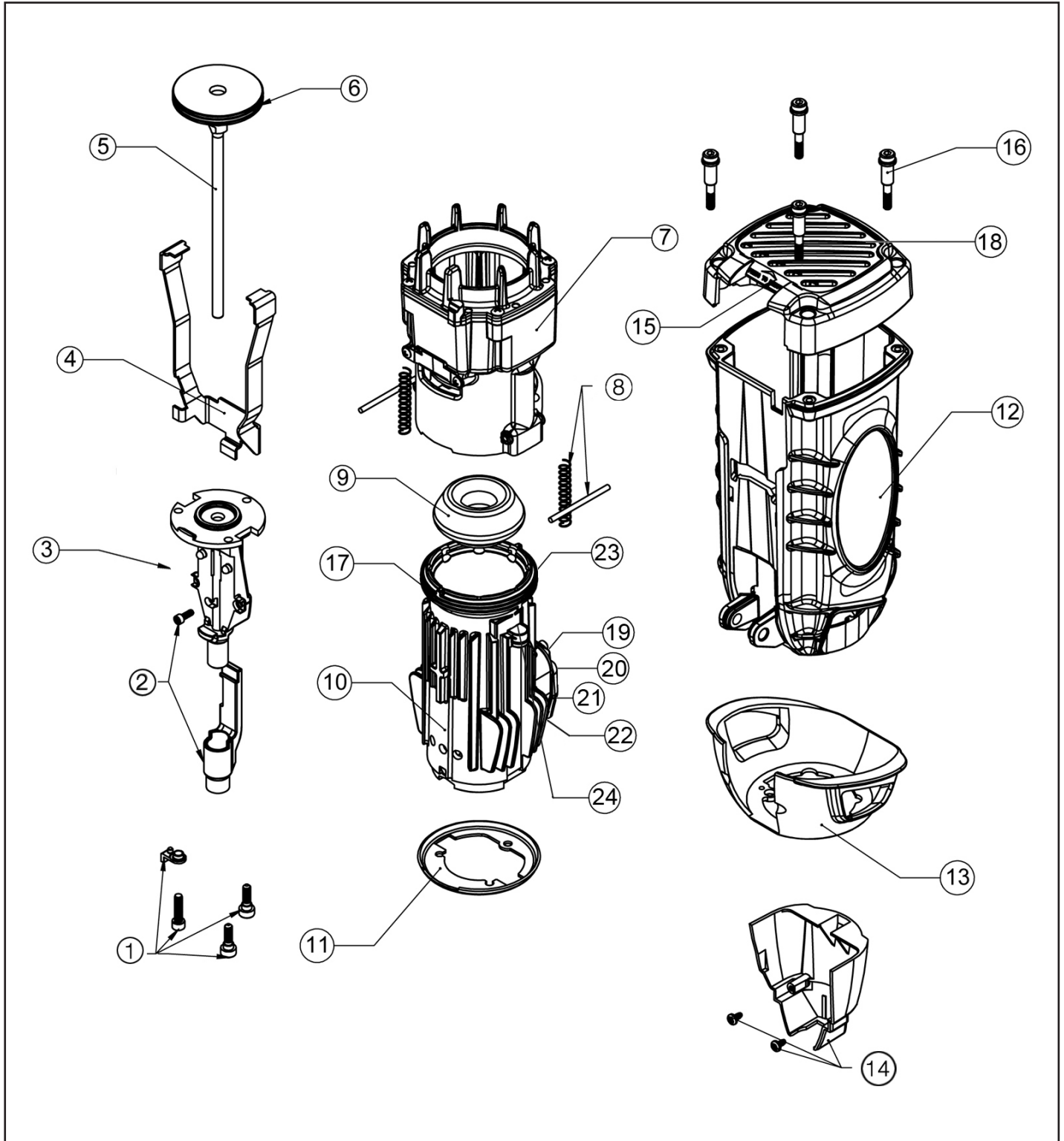
f: 800-529-8680 e: spcustomer.service@itwserviceparts.com

KEY	PART NO.	DESCRIPTION
80	801124	KNOB ASSEMBLY
81	7405070	SCREWS AND WASHERS
82	7405071	SCREWS AND WASHERS
84	7405146	FOOT SCREWS
85	801113	MAGAZINE FOOT
91	7405169	CONSTANT FORCE SPRING W/HUB
92	801118	SHEAR BLOCK (FOR ORIGINAL NOSEPIECE)
93	7405147	SHEAR BLOCK SCREWS & WASHER ONLY – 8-32 x 1/2" (FITS BOTH TYPES OF SHEAR BLOCKS)
94	7405149	LEFT & RIGHT MAGAZINE HALVES (WITH BATTERY CLIP)
95	7505017	BATTERY CONTACT ASSEMBLY
97	401422	BATTERY CLIP
98	401423	BATTERY CLIP SCREW
99	7506006	COVER PLATE
100	801112	UPPER RAIL
101	801110	LOWER RAIL
103	7405168	CARRIER/FOLLOWER ASSEMBLY
—	7405177	FOLLOWER/LOCKOUT ASSEMBLY COMPLETE
—	7505022	SEQUENCE LABEL

SCREWS-USE LOCTITE 242 (BLUE)

ORDER BY FAX OR EMAIL

f: 800-529-8680 e: spcustomer.service@itwserviceparts.com



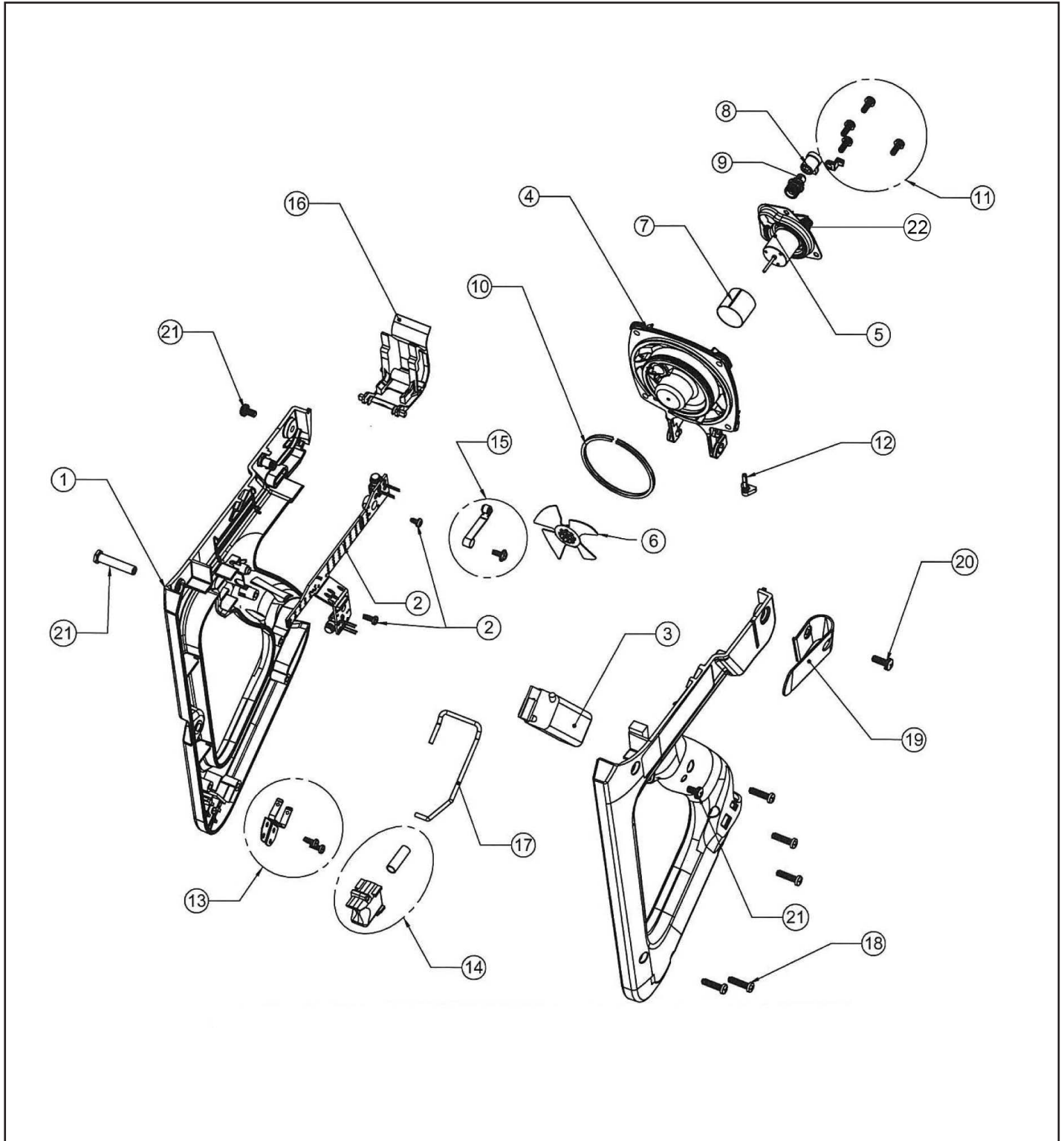
ORDER BY FAX OR EMAIL

f: 800-529-8680 e: spcustomer.service@itwserviceparts.com

KEY	PART NO.	DESCRIPTION
1	100098A	FLANGE SCREWS AND LOCKOUT BRACKET SUPPORT
2	100041A	ACTUATOR ASSEMBLY
2A	100041LA	MAGNETIC LATH ADAPTER (NOT SHOWN)
3	905520A	PIN GUIDE SUPPORT (WITH ACTUATOR)
3A	905520	PIN GUIDE SUPPORT
4	100048	CAGE
5	100050	PISTON ASSEMBLY
6	7405055	PISTON RING (PKG 2)
7	902233	COMBUSTION CHAMBER ASSEMBLY
8	408827A	COMBUSTION CHAMBER / PIN AND SPRING (PKG 2)
9	100174	BUMPER
10	100178A	SLEEVE ASSEMBLY (WITHOUT BUMPER) WITH STEEL RINGS AND MUFFLER ASSEMBLY
11	100158	HOUSING RING
12	100053	HOUSING ASSEMBLY
13	100045	SHROUD
14	100044A	REV 1 NOSE COVER (WITH SCREWS)
14A	905521A	REV 2 NOSE COVER (WITH SCREW)
14B	905518	REV2 SCREW, NOSE COVER 8-32
15	100266	CAP ASSEMBLY
16	901063A	CAP SCREWS (4)
17	900934A	STEEL RING, SLEEVE (2)
18	900315	FILTER SCREEN
19	404424	REED VALVE
20	404422	MUFFLER
21	404423	MUFFLER COVER
22	404425	REED PLATE
23	401328	PISTON RETAINING RING
24	404464	RUBBER STOP, CAGE (2)

ORDER BY FAX OR EMAIL

f: 800-529-8680 e: spcustomer.service@itwserviceparts.com



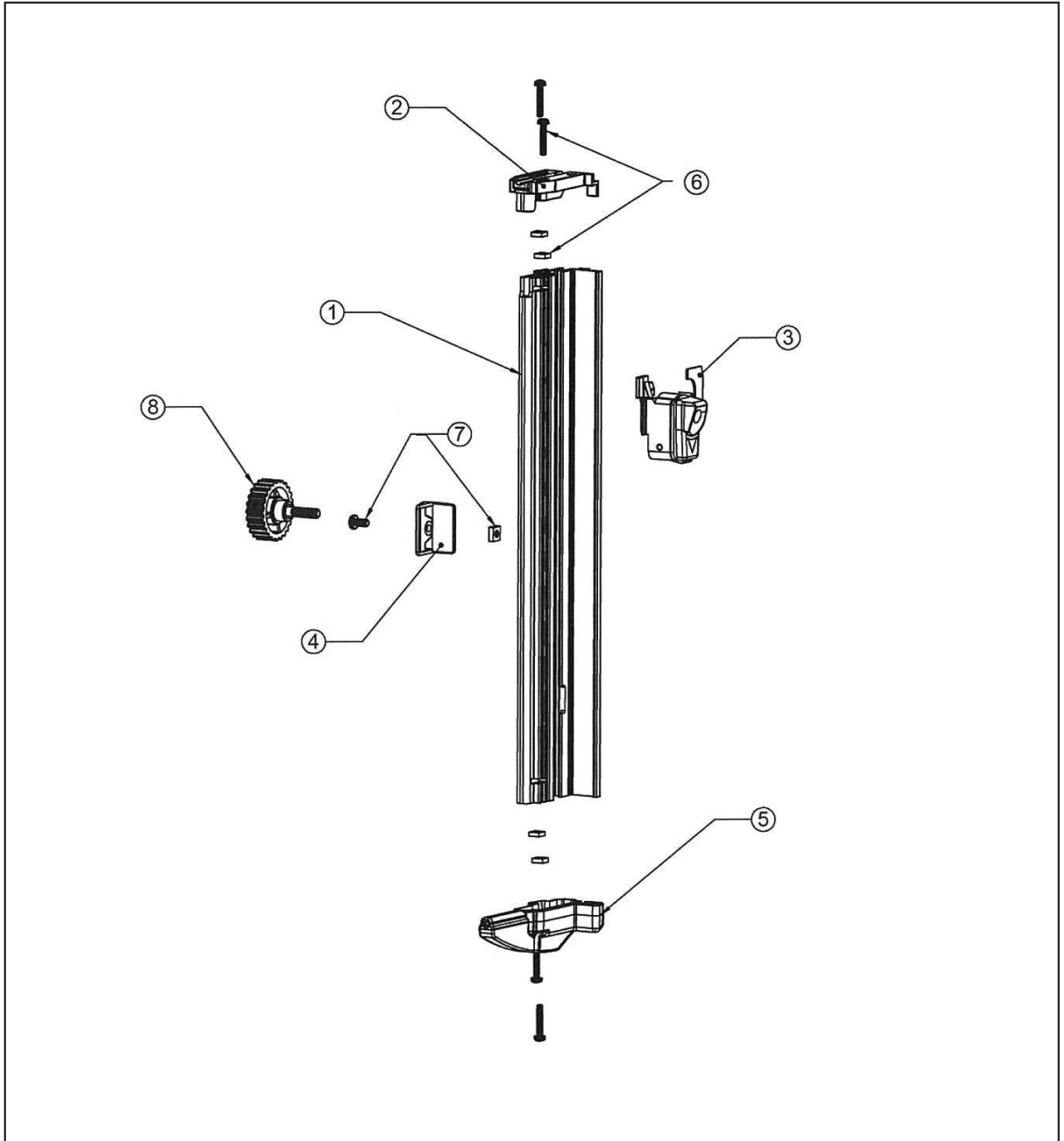
ORDER BY FAX OR EMAIL

f: 800-529-8680 e: spcustomer.service@itwserviceparts.com

KEY	PART NO.	DESCRIPTION
1	100056A	RIGHT AND LEFT HANDLE HALF
2	100059A	MOLDED CIRCUIT BOARD W/MOUNTING SCREWS
3	900474	MSU
4	100058	CYLINDER HEAD
5	901430	MOTOR ASSEMBLY, FAN
6	403167	FAN BLADE ASSEMBLY
7	401356	MOTOR SLEEVE
8	100157	HIGH VOLTAGE WIRE ASSEMBLY
9	7505164	SPARK PLUG ASSEMBLY
10	900935A	CYLINDER HEAD STEEL RINGS (PKG OF 2)
11	900596A	CYLINDER HEAD SCREWS AND WIRE BRACKET
12	401340	RED STEM ADAPTOR
13	100095A	BATTERY CONTACTS AND SCREWS
14	404435A	TRIGGER AND SPRING
15	100184A	LEVER ASSEMBLY AND SCREW
16	900966	ACTUATOR ASSEMBLY
17	100097	CHAMBER LOCKOUT BAR
18	B0100A	HANDLE SCREWS
19	401495	BELT HOOK
20	401407	CYLINDER HEAD/BELT HOOK SCREW
21	100060A	HANDLE TO HOUSING BUSHING AND TWO SCREWS – 10-32 x 3.8"
22	901422	PC BOARD ASSY, TF1200 (MUST USE WITH 901430 FAN MOTOR)
—	7505025	WARNING LABEL
—	7505022	SEQUENCE LABEL
—	7505021	DANGER LABEL

ORDER BY FAX OR EMAIL

f: 800-529-8680 e: spcustomer.service@itwserviceparts.com



ORDER BY FAX OR EMAIL

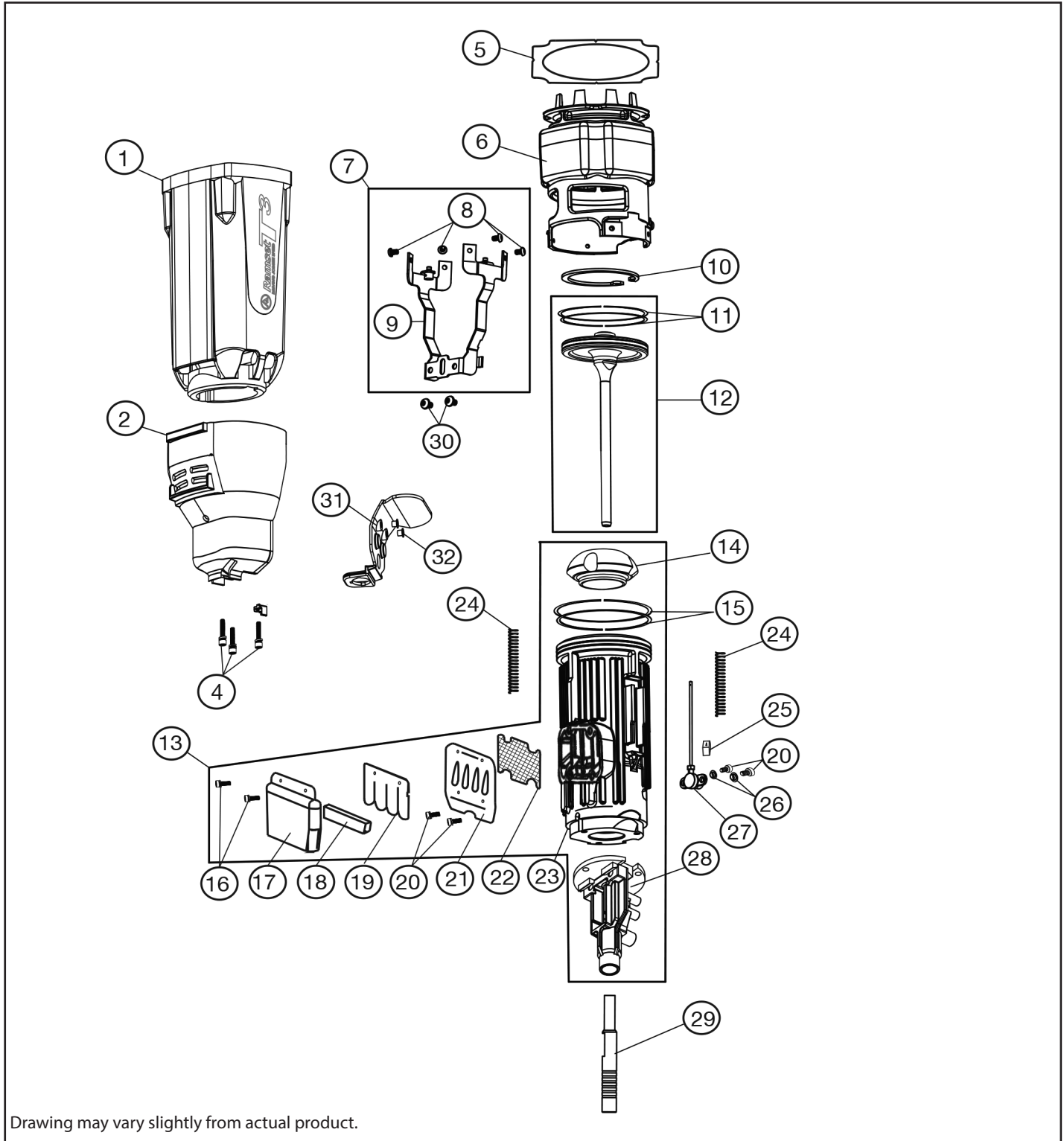
f: 800-529-8680 e: spcustomer.service@itwserviceparts.com

KEY	PART NO.	DESCRIPTION
1	100043	RAIL
2	100042	SHEAR BLOCK
3	100062	FOLLOWER ASSEMBLY, COMPLETE
4	100067	RAIL TO HANDLE BRACKET
5	100066A	FOOT
6	100064A	SHEAR BLOCK / FOOT SCREW AND NUT (4 EA)
7	100100A	BRACKET SCREW AND NUT (1 EA)
8	801124	KNOB ASSEMBLY
—	100264	U-NUT

ORDER BY FAX OR EMAIL

f: 800-529-8680 e: spcustomer.service@itwserviceparts.com

**T3SS NOSE & HOUSING
ASSEMBLY SCHEMATIC**



ORDER BY FAX OR EMAIL

f: 800-529-8680 e: spcustomer.service@itwserviceparts.com

T3SS NOSE & HOUSING ASSEMBLY PARTS LIST

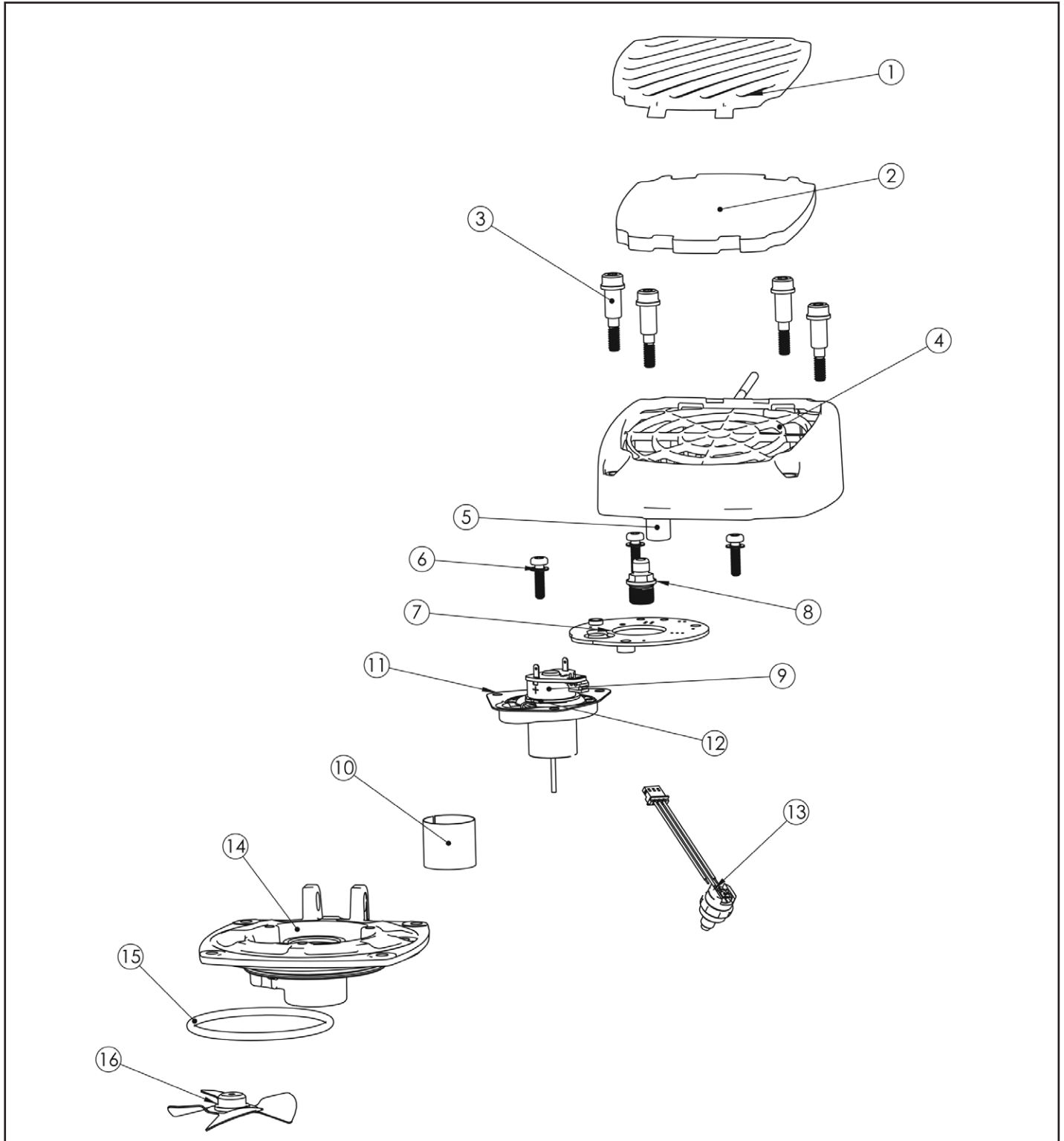
KEY	PART NO.	DESCRIPTION
1	B0001	HOUSING, T3
2	B0096	SHROUD, T3
4	B0238	SCREW, HOUSING (3 Required – Sold Individually) (For tools built September 2010, S/N 141009001 and after with Flanged Nose)
4A	B0059A	HOUSING SCREWS (PKG QTY 3) (For tools built August 2010, S/N 1410080120 and before with Pinned Nose)
5	B0097	AIR DAM
6	B0178	COMBUSTION CHAMBER, T3
7	B0217A	CAGE ASSEMBLY WITH SCREWS, T3
8	B0057	SCREW, CAGE TO COMBUSTION CHAMBER (4 REQUIRED - SOLD INDIVIDUALLY) M4-6
9	B0217	CAGE ASSEMBLY, T3
10	B0068	PISTON STOP RING
11	B0034A	PISTON RINGS (PKG QTY 2)
12	B0031A	PISTON ASSEMBLY (W/RINGS)
13	B0052T3SS	SLEEVE/NOSE ASSEMBLY, T3SS (Includes Sleeve, Flanged Nose Piece, Bumper, and Muffler Assy.)
14	B0053	BUMPER
15	100154A	STEEL RINGS, SLEEVE (PKG QTY 2) (For tools after February 2011, S/N: 1411020066)
15A	B0042	SLEEVE O-RING (For tools before February 2011, S/N: 1411020065)
16	B0073	M4-10 EXHAUST SCREW
17	404423	MUFFLER COVER
18	404422	MUFFLER
19	404424	EXHAUST REED
20	B0072	M4-8 EXHAUST/ FUEL CONNECTOR SCREW (EACH)
21	404425	REED PLATE
22	404426	EXHAUST BAFFLE
23	B0052	SLEEVE, MACHINED
24	B0037A	CAGE SPRINGS (PKG QTY 2)
25	B0048	INJECTION TUBE BUMPER
26	B0023	FUEL SLEEVE CONNECTOR BUSHING
27	B0054A	FUEL INJECTION TUBE ASSEMBLY
28	100183	PIN GUIDE SUPPORT
29	E150100	PIN GUIDE
29A	M150200	MAGNETIC WORK CONTACT ELEMENT (NOT SHOWN)
30	B0226	ACTUATOR PLATE SCREW
31	100008A	AUXILIARY SHROUD, T3SS
32	B0172	AUXILIARY SHROUD SCREW, 6-32

FOR T3IF TOOL

12	B0031IF-6A	PISTON ASSEMBLY W/RINGS, T3IF-6 TOOL
29	B0111IF-6	PIN GUIDE, T3IF-6 TOOL

ORDER BY FAX OR EMAIL

f: 800-529-8680 e: spcustomer.service@itwserviceparts.com



ORDER BY FAX OR EMAIL

f: 800-529-8680 e: spcustomer.service@itwserviceparts.com

KEY	PART NO.	DESCRIPTION
1	B0017	GRILL CAP, T3
2	B0095	FOAM FILTER, T3
3	901065A	CAP SCREWS (PKG QTY OF 4)
4	B0016	CAP (GRILL & FILTER NOT INCLUDED)
5	900478	SPARK PLUG WIRE & BOOT
6	B0061A	SCREWS, PC BOARD (For T3MAG tools before July 2009, S/N: 1509070048 and w/ O-ring head) (For T3SS tools before July 2009, S/N: 1409070110 and w/ O-ring head)
6	100037	SELF THREADING SCREW, LONG, PC BOARD (1 Required – For tools built after July 2009 or with Steel Ring Head)
6	100009	SELF THREADING SCREW, SHORT, PC BOARD (2 Required – For tools built after July 2009 or with Steel Ring Head)
7	B0040	PC BOARD
8	7505164	SPARK PLUG ASSEMBLY
9	900525A	FAN MOTOR KIT (Includes: Fan, Motor Sleeve, Motor Mount, Retaining Ring & Fan Blade)
9A	905522	FAN MOTOR AND MOUNT ASSM, T3IF
10	401356	MOTOR SLEEVE
11	900470	MOTOR MOUNT
12	401355	MOTOR RETAINING SNAP RING
13	404601	HEAD SWITCH
14	B0078	CYLINDER HEAD (This replacement part uses Steel Rings)
15	403992	O-RING, CYLINDER HEAD (for tools using O-ring Cylinder Head)
15	900935A	STEEL RINGS, CYLINDER HEAD (PKG QTY OF 2) (For tools built after March 2011 and/or using Steel Ring Cylinder Head)
16	403167	FAN BLADE

ORDER BY FAX OR EMAIL

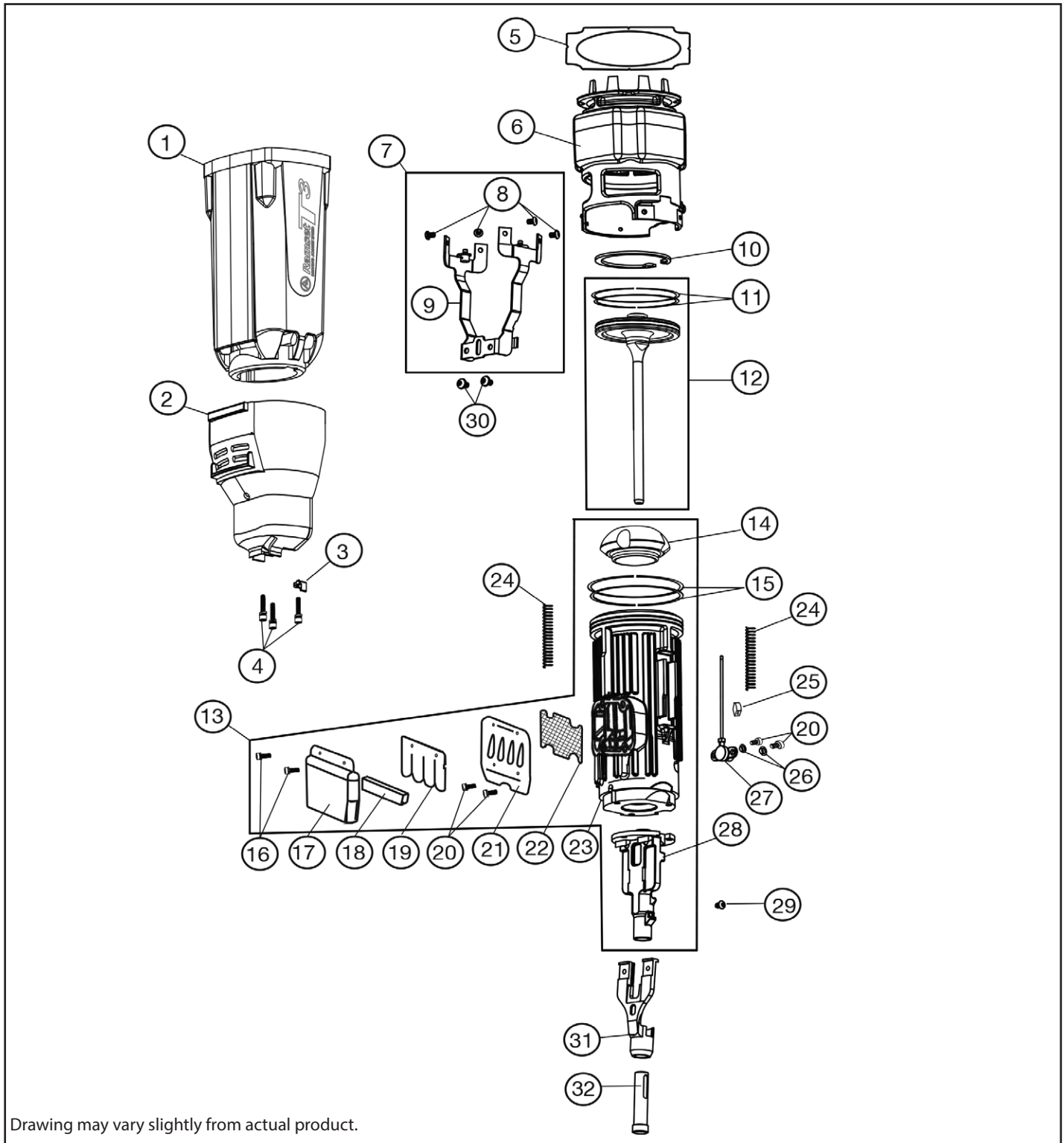
f: 800-529-8680 e: spcustomer.service@itwserviceparts.com

KEY	PART NO.	DESCRIPTION
1	333380	KNOB ASSEMBLY, T3SS
1A	B0227A	T3MAG EASY RELEASE KNOB KIT INCLUDES: KNOB CAP, KNOB BASE, KNOB SHAFT HARDWARE)
2	404619	INSULATOR (PLACED UNDER TRIGGER SWITCH)
3	404490	TRIGGER SWITCH
4	7405091	SCREWS #2 – 5/8 (PKG OF 2), TRIGGER SWITCH
5	B0134	SPARK UNIT – MEFI, T3
6	B0093	EFI JUNCTION BOARD
7	B0006A	TRIGGER ASSEMBLY
8	B0050A	FUEL CONNECTOR ASSEMBLY
9	B0160	FUEL VALVE
10	B0100A	HANDLE SCREWS (PKG. OF 5)
11	B0176	LEFT & RIGHT SIDE HANDLE ASSEMBLY
12	B0144	REAR FOOT ASSEMBLY (T3SS ONLY)
13	B0018	FUEL SPACER PLATE
14	B0090A	FUEL CELL EJECT BUTTON & LATCH KIT
15	B0011	BATTERY TERMINAL ASSEMBLY
16	B0210A	BELT HOOK KIT
18	B0160A	FUEL VALVE & SPACER PLATE ASSEMBLY
—	B0029	HANDLE TO HOUSING BUSHING
—	B0030	HEAD TO HANDLE BUSHING
—	B0058	BUSHING SCREW, M5x10
—	B0055	RUBBER SPACER, FUEL CONNECTOR
—	7505021	DANGER LABEL
—	7505025	WARNING LABEL

ORDER BY FAX OR EMAIL

f: 800-529-8680 e: spcustomer.service@itwserviceparts.com

**T3MAG NOSE & HOUSING
ASSEMBLY SCHEMATIC**



Drawing may vary slightly from actual product.

ORDER BY FAX OR EMAIL

f: 800-529-8680 e: spcustomer.service@itwserviceparts.com

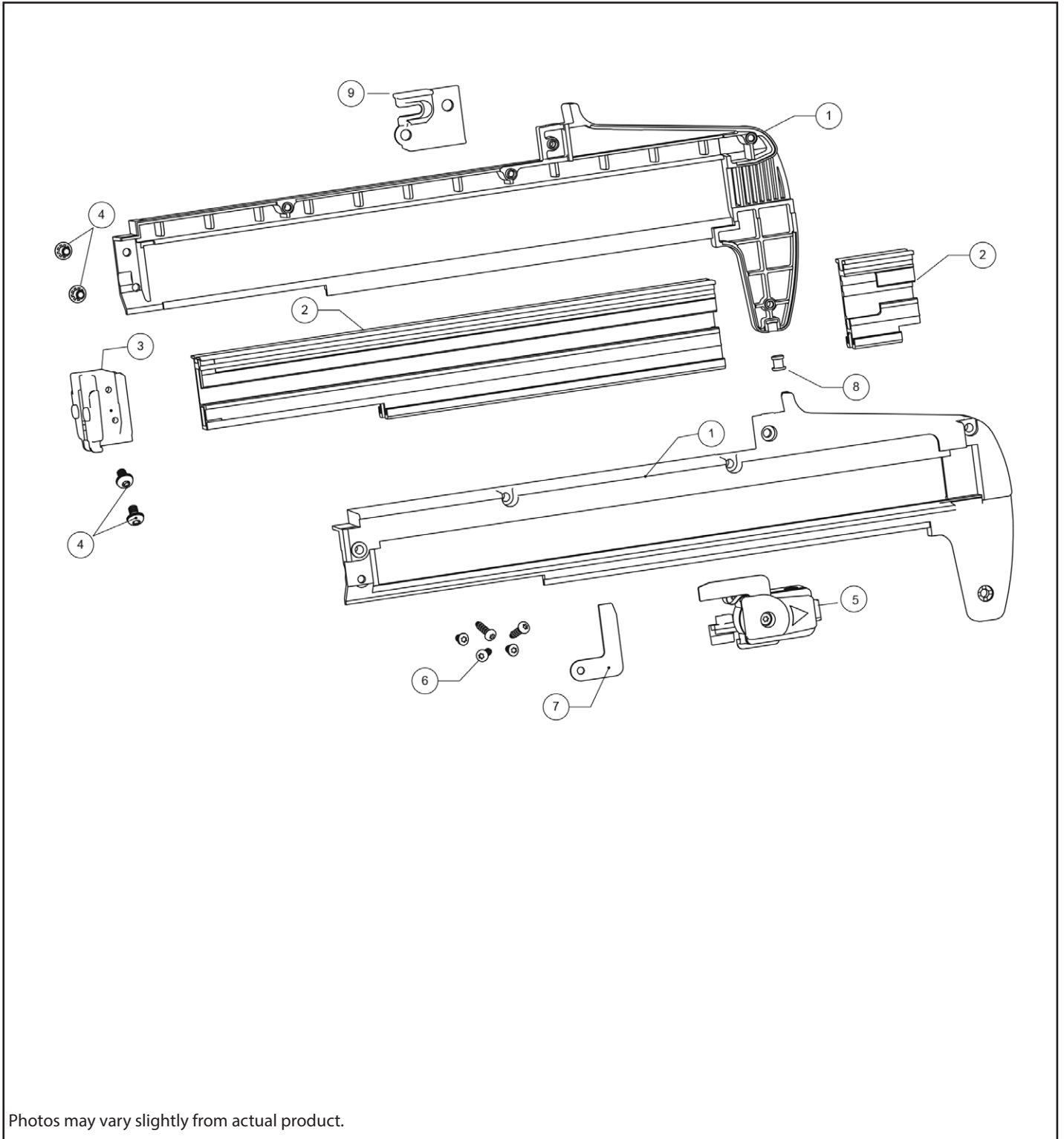
T3MAG NOSE & HOUSING ASSEMBLY PARTS LIST

KEY	PART NO.	DESCRIPTION
1	B0001	HOUSING, T3
2	B0199	SHROUD, T3 MAG.
3	B0105	SECURITY STOP
4	B0238	SCREW, HOUSING (3 Required – Sold Individually) (For tools built September 2010, S/N 141009001 and after with Flanged Nose)
4A	B0059A	HOUSING SCREWS (PKG QTY 3) (For tools built August 2010, S/N 1410080120 and before with Pinned Nose)
5	B0097	AIR DAM
6	B0178	COMBUSTION CHAMBER, T3
7	B0217A	CAGE ASSEMBLY WITH SCREWS
8	B0057	SCREW, CAGE TO COMBUSTION CHAMBER (4 REQUIRED - SOLD INDIVIDUALLY) M4-6
9	B0217	CAGE ASSEMBLY, T3
10	B0068	PISTON STOP RING
11	B0034A	PISTON RINGS (PKG QTY 2)
12	B0031A	PISTON ASSEMBLY (W/RINGS)
13	B0052A	SLEEVE/NOSE ASSEMBLY, T3MAG (Includes Sleeve, Flanged Nose Piece, Bumper, and Muffler Assy.)
14	B0053	BUMPER
15	100154A	STEEL RINGS, SLEEVE (PKG QTY 2) (For tools after February 2011, S/N: 1411020066)
15A	B0042	SLEEVE O-RING (For tools before February 2011, S/N: 1411020065)
16	B0073	M4-10 EXHAUST SCREW
17	404423	MUFFLER COVER
18	404422	MUFFLER
19	404424	EXHAUST REED PLATE
20	B0072	M4-8 EXHAUST/ FUEL CONNECTOR SCREW (SOLD INDIVIDUALLY)
21	404425	REED PLATE
22	404426	EXHAUST BAFFLE
23	B0052	SLEEVE, MACHINED
24	B0037A	CAGE SPRINGS (PKG QTY 2)
25	B0048	INJECTION TUBE BUMPER
26	B0023	FUEL SLEEVE CONNECTOR BUSHING
27	B0054A	FUEL INJECTION TUBE ASSEMBLY
28	100173	PIN GUIDE SUPPORT
29	B0220	PIN GUIDE RETAINING SCREW
30	B0226	ACTUATOR PLATE SCREW (SOLD INDIVIDUALLY)
31	B0122A	ACTUATOR W/SCREWS
32	B0111A	PIN GUIDE W/SCREW

ORDER BY FAX OR EMAIL

f: 800-529-8680 e: spcustomer.service@itwserviceparts.com

T3 MAGAZINE ASSEMBLY SCHEMATIC



ORDER BY FAX OR EMAIL

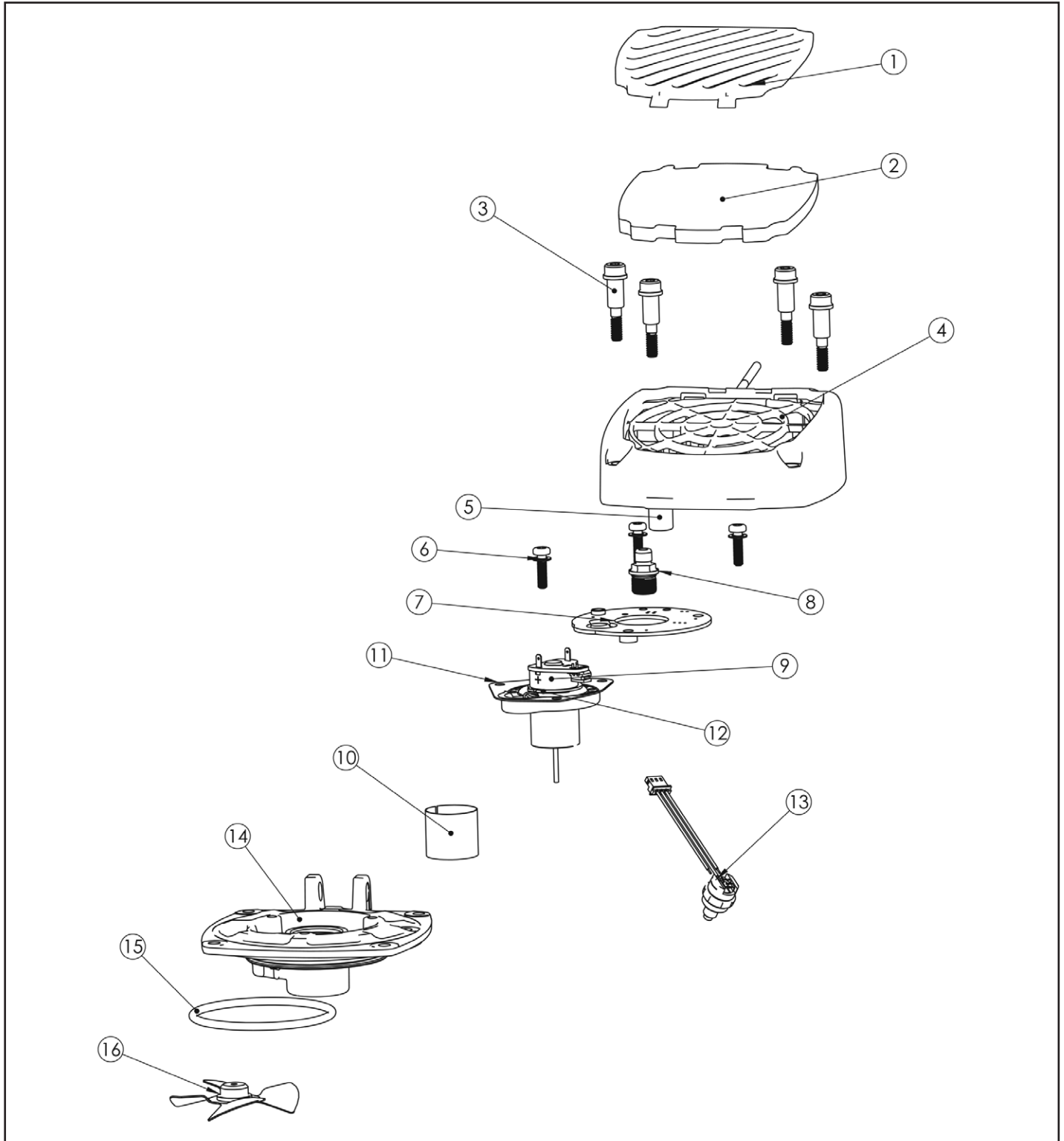
f: 800-529-8680 e: spcustomer.service@itwserviceparts.com

T3 MAGAZINE ASSEMBLY PARTS LIST

KEY	PART NO.	DESCRIPTION
1	B0203	MAGAZINE LEFT & RIGHT HALF
2	B0204	FRONT & REAR RAILS
3	B0213A	SHEAR BLOCK & SCREW
4	B0206	CONNECTION BLOCK/SHEAR BLOCK SCREWS (PKG QTY 4) M4
5	B0207	FOLLOWER ASSY. W/CONSTANT FORCE SPRING
6	B0208	MAGAZINE SCREWS (PKG QTY 5)
7	B0147	LOCKOUT BRACKET
8	B0102	WEAR PAD, FOOT
9	B0215	MAGAZINE LATCH BRACKET
—	B0234	T3 EASY RELEASE MAGAZINE ASSEMBLY INCLUDES: MAGAZINE HALVES, SHEAR BLOCK KIT, FOLLOWER ASSEMBLY, FRONT RAIL, REAR RAIL, SCREWS, LATCH BRACKET

ORDER BY FAX OR EMAIL

f: 800-529-8680 e: spcustomer.service@itwserviceparts.com



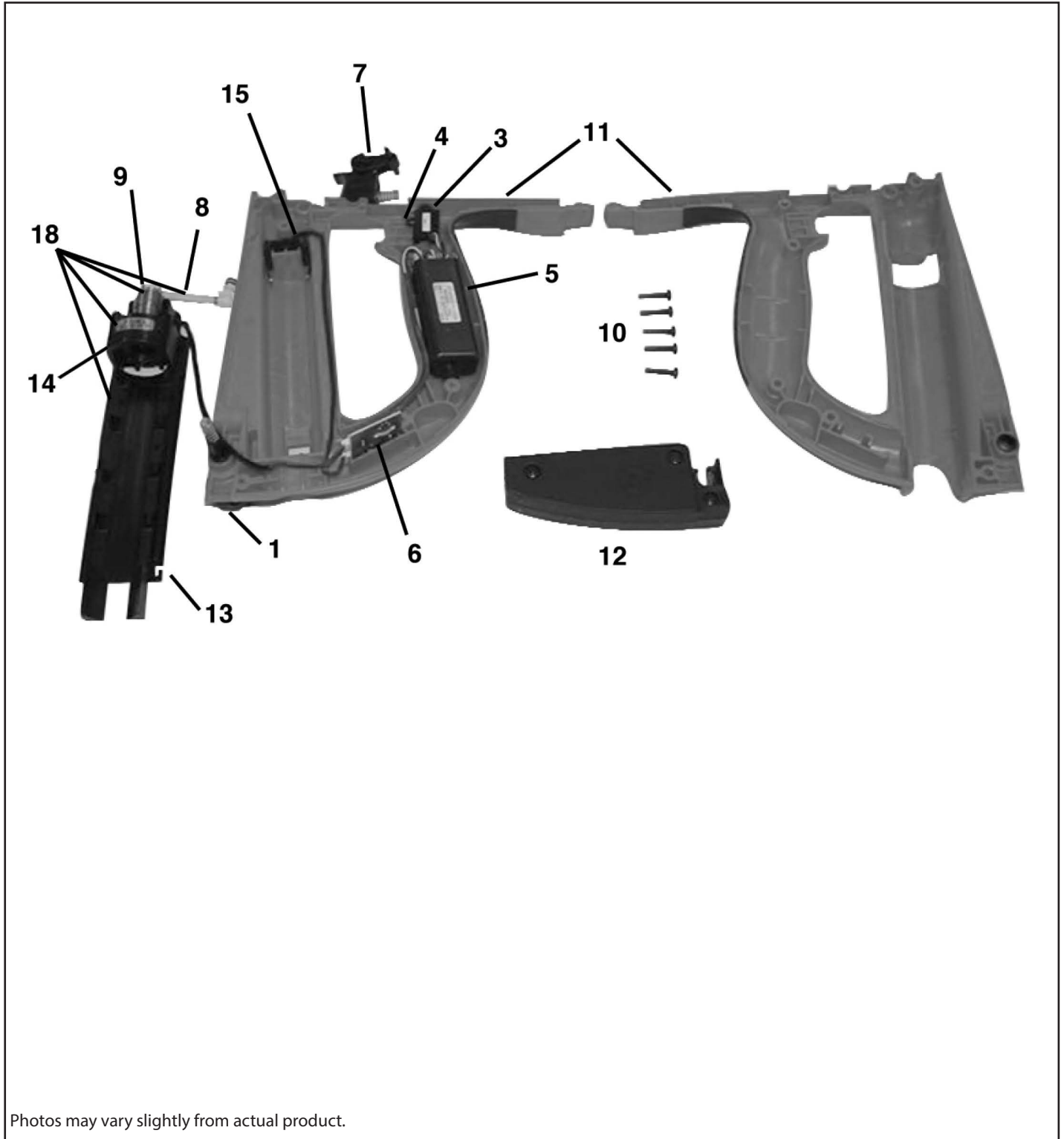
ORDER BY FAX OR EMAIL

f: 800-529-8680 e: spcustomer.service@itwserviceparts.com

KEY	PART NO.	DESCRIPTION
1	B0017	GRILL CAP, T3
2	B0095	FOAM FILTER, T3
3	901065A	CAP SCREWS (PKG QTY OF 4)
4	B0016	CAP (GRILL & FILTER NOT INCLUDED)
5	900478	SPARK PLUG WIRE & BOOT
6	B0061A	SCREWS, PC BOARD (For T3MAG tools before July 2009, S/N: 1509070048 and w/ O-ring head) (For T3SS tools before July 2009, S/N: 1409070110 and w/ O-ring head)
6	100037	SELF THREADING SCREW, LONG, PC BOARD (1 Required – For tools built after July 2009 or with Steel Ring Head)
6	100009	SELF THREADING SCREW, SHORT, PC BOARD (2 Required – For tools built after July 2009 or with Steel Ring Head)
7	B0040	PC BOARD
8	7505164	SPARK PLUG ASSEMBLY
9	900525A	FAN MOTOR KIT (Includes: Fan, Motor Sleeve, Motor Mount, Retaining Ring & Fan Blade)
10	401356	MOTOR SLEEVE
11	900470	MOTOR MOUNT
12	401355	MOTOR RETAINING SNAP RING
13	404601	HEAD SWITCH
14	B0078	CYLINDER HEAD (This replacement part uses Steel Rings)
15	403992	O-RING, CYLINDER HEAD (for tools using O-ring Cylinder Head)
15	900935A	STEEL RINGS, CYLINDER HEAD (PKG QTY OF 2) (For tools built after March 2011 and/or using Steel Ring Cylinder Head)
16	403167	FAN BLADE

ORDER BY FAX OR EMAIL

f: 800-529-8680 e: spcustomer.service@itwserviceparts.com



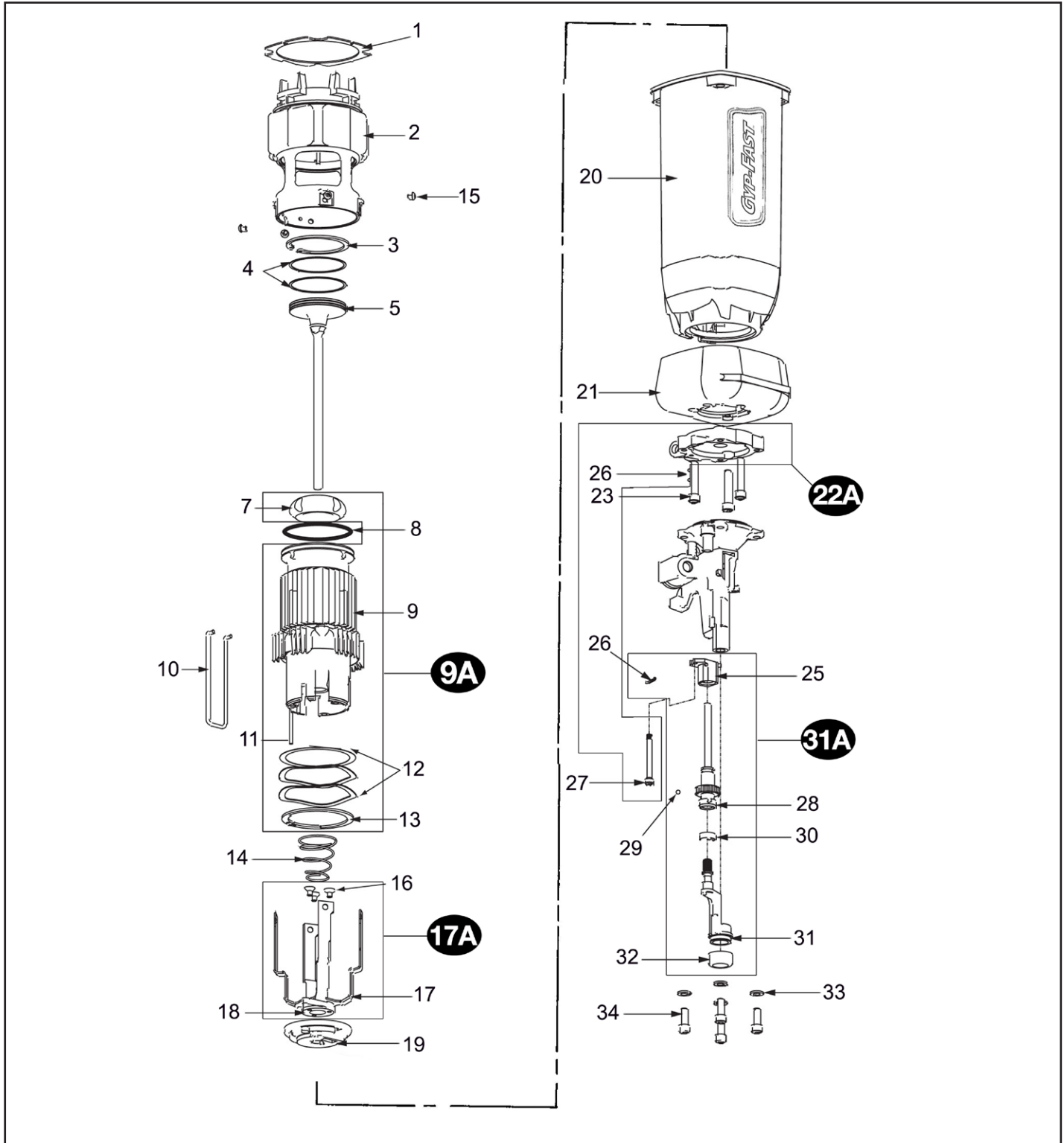
ORDER BY FAX OR EMAIL

f: 800-529-8680 e: spcustomer.service@itwserviceparts.com

KEY	PART NO.	DESCRIPTION
1	333380	KNOB ASSEMBLY, T3SS
1A	B0227A	T3MAG EASY RELEASE KNOB KIT (INCLUDES: KNOB CAP, KNOB BASE, KNOB SHAFT HARDWARE)
2	404619	INSULATOR (PLACED UNDER TRIGGER SWITCH)
3	404490	TRIGGER SWITCH
4	7405091	SCREWS #2 – 5/8 (PKG OF 2), TRIGGER SWITCH
5	B0134	SPARK UNIT – MEFI, T3
6	B0093	EFI JUNCTION BOARD
7	B0006A	TRIGGER ASSEMBLY
8	B0050A	FUEL CONNECTOR ASSEMBLY
9	B0160	FUEL VALVE
10	B0100A	HANDLE SCREWS (PKG. OF 5)
11	B0176	LEFT & RIGHT SIDE HANDLE ASSEMBLY
12	B0144	REAR FOOT ASSEMBLY (T3SS ONLY)
13	B0018	FUEL SPACER PLATE
14	B0090A	FUEL CELL EJECT BUTTON & LATCH KIT
15	B0011	BATTERY TERMINAL ASSEMBLY
16	B0210A	BELT HOOK KIT
18	B0160A	FUEL VALVE & SPACER PLATE ASSEMBLY
—	B0029	HANDLE TO HOUSING BUSHING
—	B0030	HEAD TO HANDLE BUSHING
—	B0058	BUSHING SCREW, M5x10
—	B0055	RUBBER SPACER, FUEL CONNECTOR
—	7505021	DANGER LABEL
—	7505025	WARNING LABEL

ORDER BY FAX OR EMAIL

f: 800-529-8680 e: spcustomer.service@itwserviceparts.com



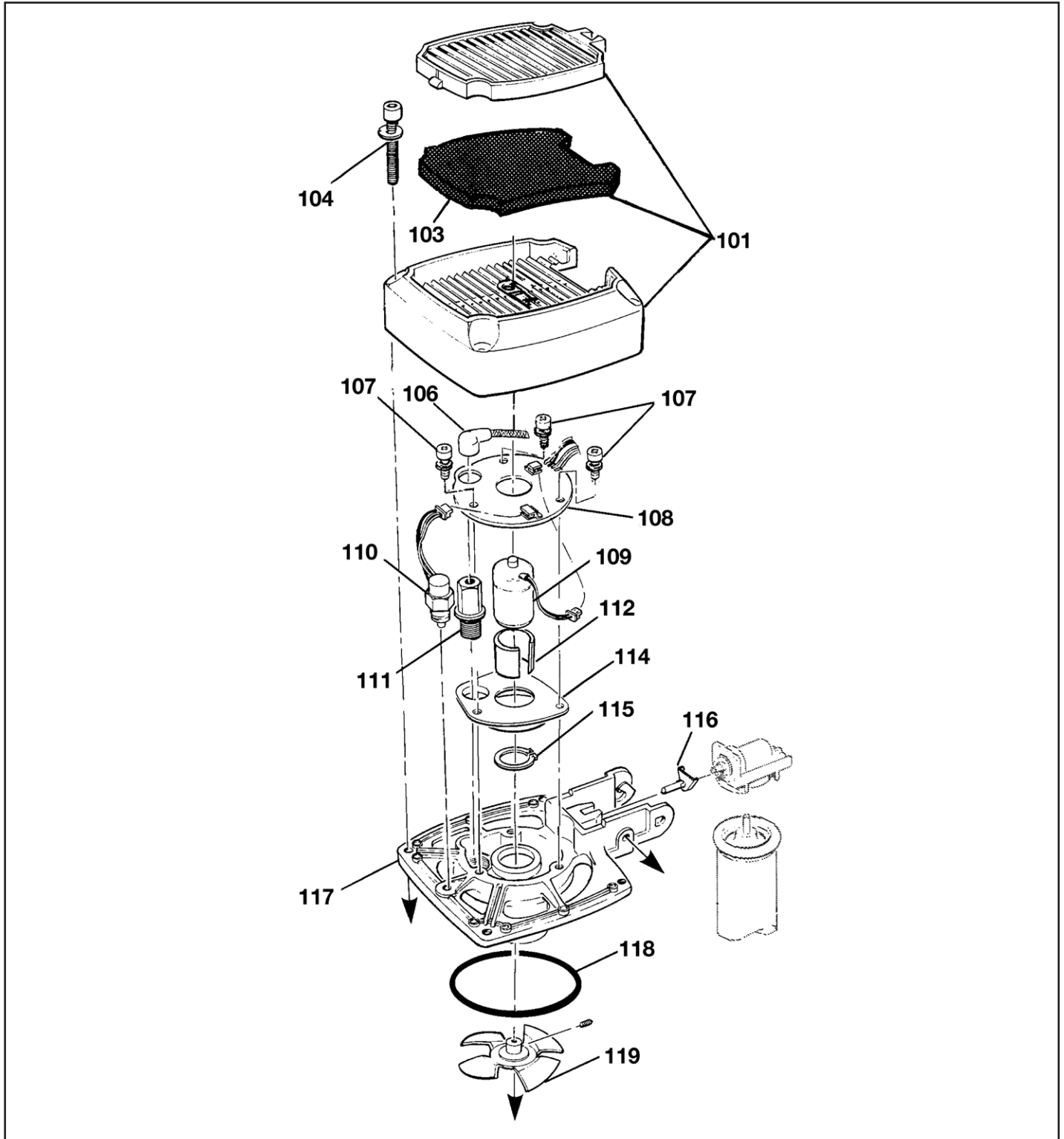
ORDER BY FAX OR EMAIL

f: 800-529-8680 e: spcustomer.service@itwserviceparts.com

KEY	PART NO.	DESCRIPTION
1	401313	AIR DAM
2	2709910	COMBUSTION CHAMBER
3	401328	PISTON STOP RETAINING RING
4	7405055	PISTON RINGS (PKG. OF 2)
5	100034	PISTON ASSEMBLY WITH PISTON RINGS
7	7505109	BUMPER
8	404482	SLEEVE O-RING
10	2716910	CHAMBER LOCK OUT BAR, LONG
11	2708910	COMBUSTION PRESSURE FEED TUBE
12	7405056	WASHER/SEAL KIT
13	401322	MID-CHECK RETAINING RING
14	401488	CAGE SPRING
15	092769	CAGE SCREWS #10-32 x 1/4" (4 REQ'D)
19	2707910	SPACER
20	2702910	MOTOR HOUSING
21	2711910	DUST SHIELD
23	2768910	SCREWS #10-24 x 1-1/4" SHCS (3 REQ'D)
25	2710910	DEPTH ADJUSTMENT BLOCK
26	2630910	ROLL PIN
27	2759910	GUIDE PIN
28	2715910	DEPTH ADJUSTMENT ROD
29	2646910	BALL BEARINGS (PKG OF 2)
30	2647910	BAND RETAINER
32	2649910	YOKE TIP
33	2639910	LOCK WASHER, NOSE M6 (4 REQ'D)
34	2598910	SHCS, NOSE M6 x 18mm (4 REQ'D)

ORDER BY FAX OR EMAIL

f: 800-529-8680 e: spcustomer.service@itwserviceparts.com



ORDER BY FAX OR EMAIL

f: 800-529-8680 e: spcustomer.service@itwserviceparts.com

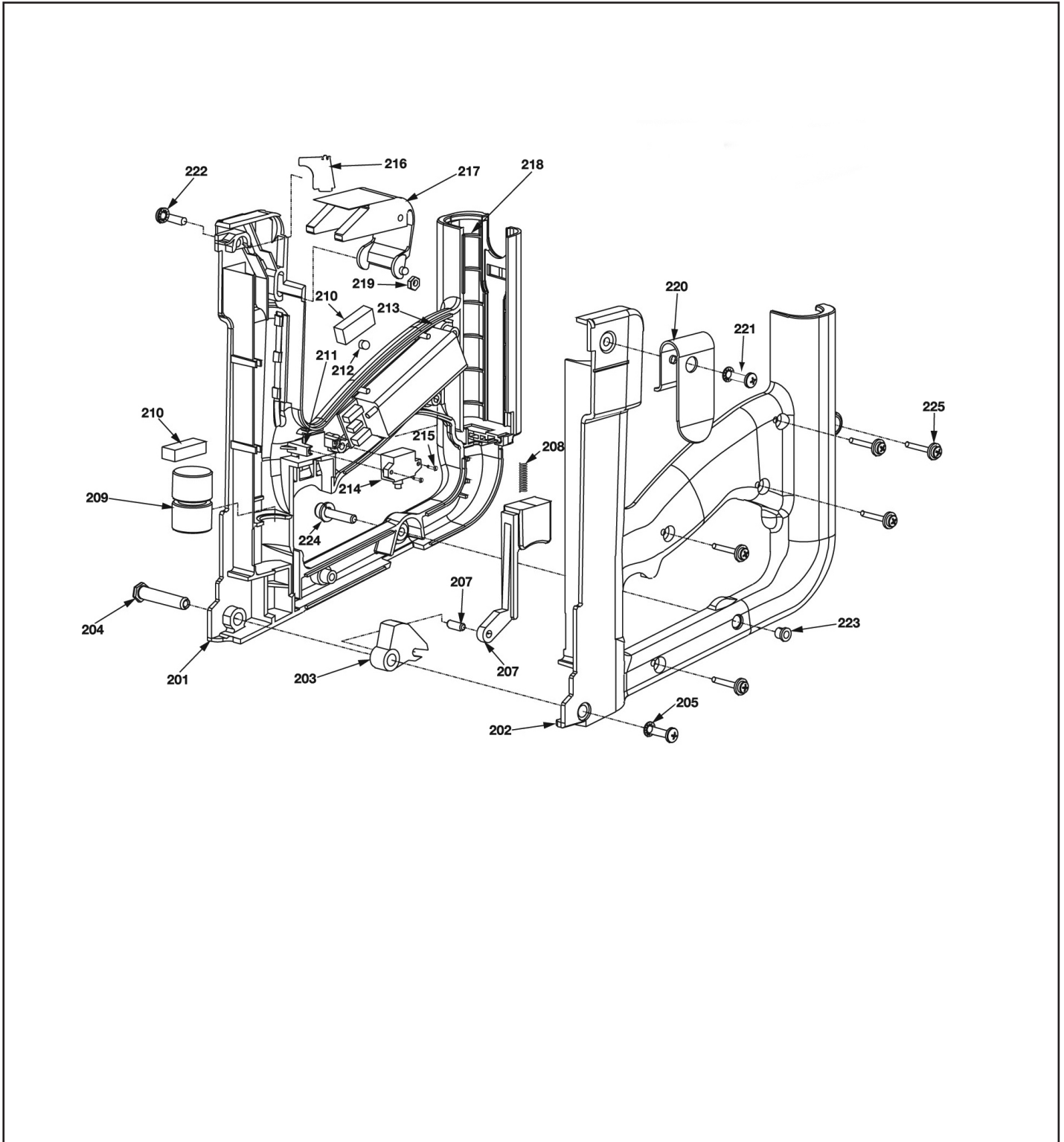
KEY	PART NO.	DESCRIPTION
101	401365	CAP, GRILL & FILTER ASSEMBLY
103	7505018	FOAM FILTER ONLY
104	901065A	SCREW KIT PKG. OF 4
106	2728910	SPARK WIRE & BOOT ONLY
107	7405090	P.C. BOARD SCREW (PKG. OF 3)
108	2727910	P.C. BOARD ASSY.
109	900525A	FAN MOTOR KIT**
110	404601	HEAD SWITCH ASSEMBLY
111	7505164	BLACK SPARK PLUG (WITH O RING)
112	401356	MOTOR SLEEVE
114	900470	MOTOR MOUNT
115	401355	MOTOR RETAINING RING
116	401340	RED STEM ADAPTER
117	401336	CYLINDER HEAD
118	403992	O-RING (CYLINDER HEAD)
119	403167	FAN BLADE WITH SET SCREW

NOTE: It is important to use all kit parts when replacing the fan motor. Failure to do so will greatly reduce the life of the motor.

** Fan Motor Kit includes: fan motor, motor mount, motor sleeve, snap ring and fan blade.

ORDER BY FAX OR EMAIL

f: 800-529-8680 e: spcustomer.service@itwserviceparts.com

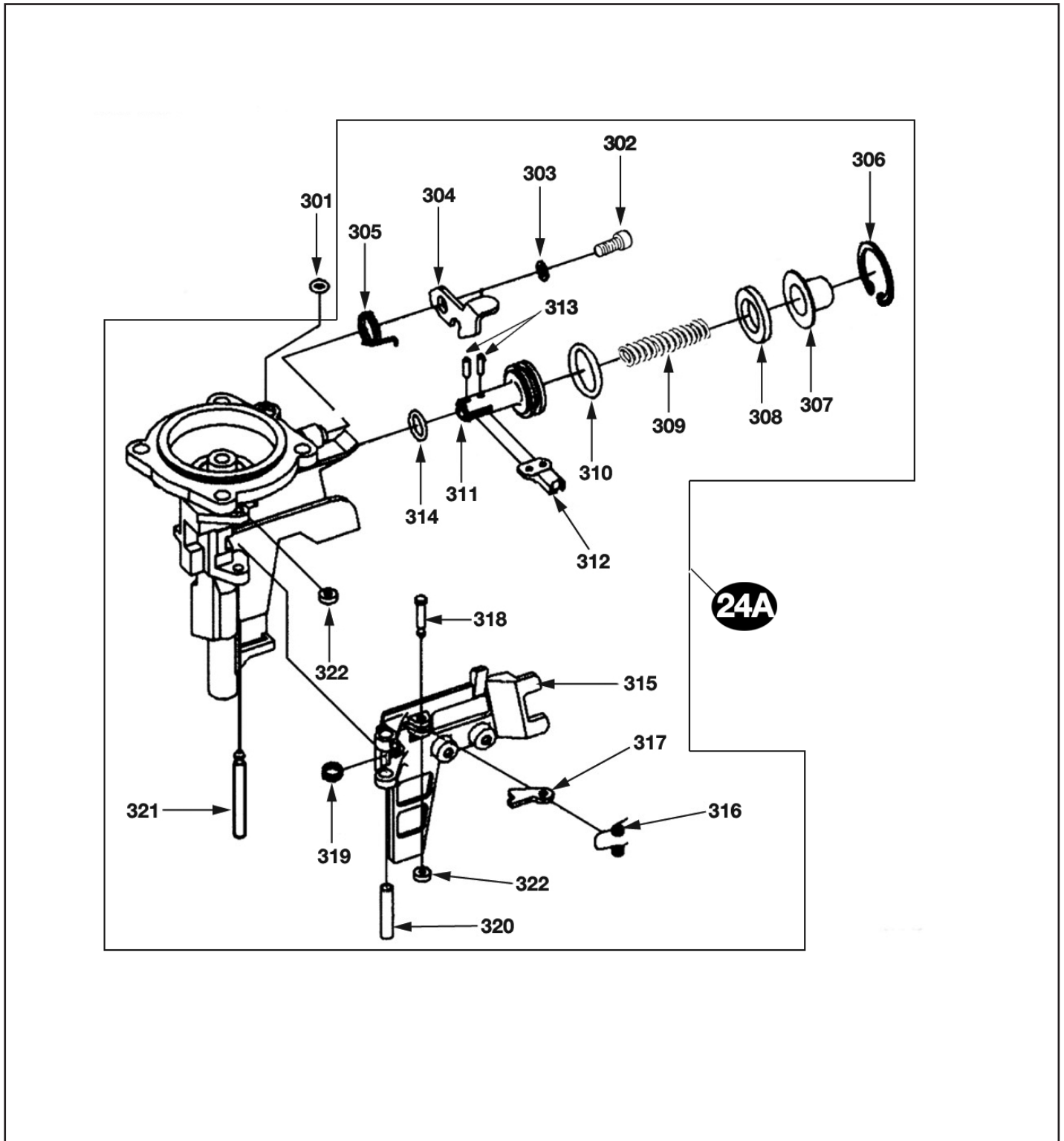


ORDER BY FAX OR EMAIL

f: 800-529-8680 e: spcustomer.service@itwserviceparts.com

KEY	PART NO.	DESCRIPTION
201	2721910	HANDLE, RIGHT
202	2722910	HANDLE, LEFT
203	401396	CAM
204	401397	CAM BUSHING
205	401408	SCREW & WASHER #10-32
207	401394A	TRIGGER
208	401395	TRIGGER SPRING
209	2753910	SPACER, MFI FUEL CELL
210	401450	FUEL CELL PAD (PKG OF 2)
211	404619	TRIGGER SWITCH INSULATOR
212	2304910	LIGHT PIPE
213	900280	SPARK UNIT W/CONNECTOR
214	404490	TRIGGER SWITCH
215	402201	TRIGGER SCREW, #2 x 5/8"
216	900012	WIRE COVER PLATE
217	401400A	ACTUATOR ASSEMBLY
218	100076	BATTERY CONTACT AND SUPPORT TRAY ASSEMBLY
219	401405	HEX NUT, #6-32 (5 REQ'D)
220	401495	BELT HOOK
221	401407	CLY HD/BELT HK SCREW
222	401408	SCREW & WASHER, #10-32
223	2766910	INSERT #10-24
224	2779910	SCREW/LOCK WASHER #10
225	401403	SCREW/WASHER #6-32 x 1" (5 REQ'D)
—	7505021	DANGER LABEL
—	7505025	WARNING LABEL

ORDER BY FAX OR EMAIL**f: 800-529-8680 e: spcustomer.service@itwserviceparts.com**



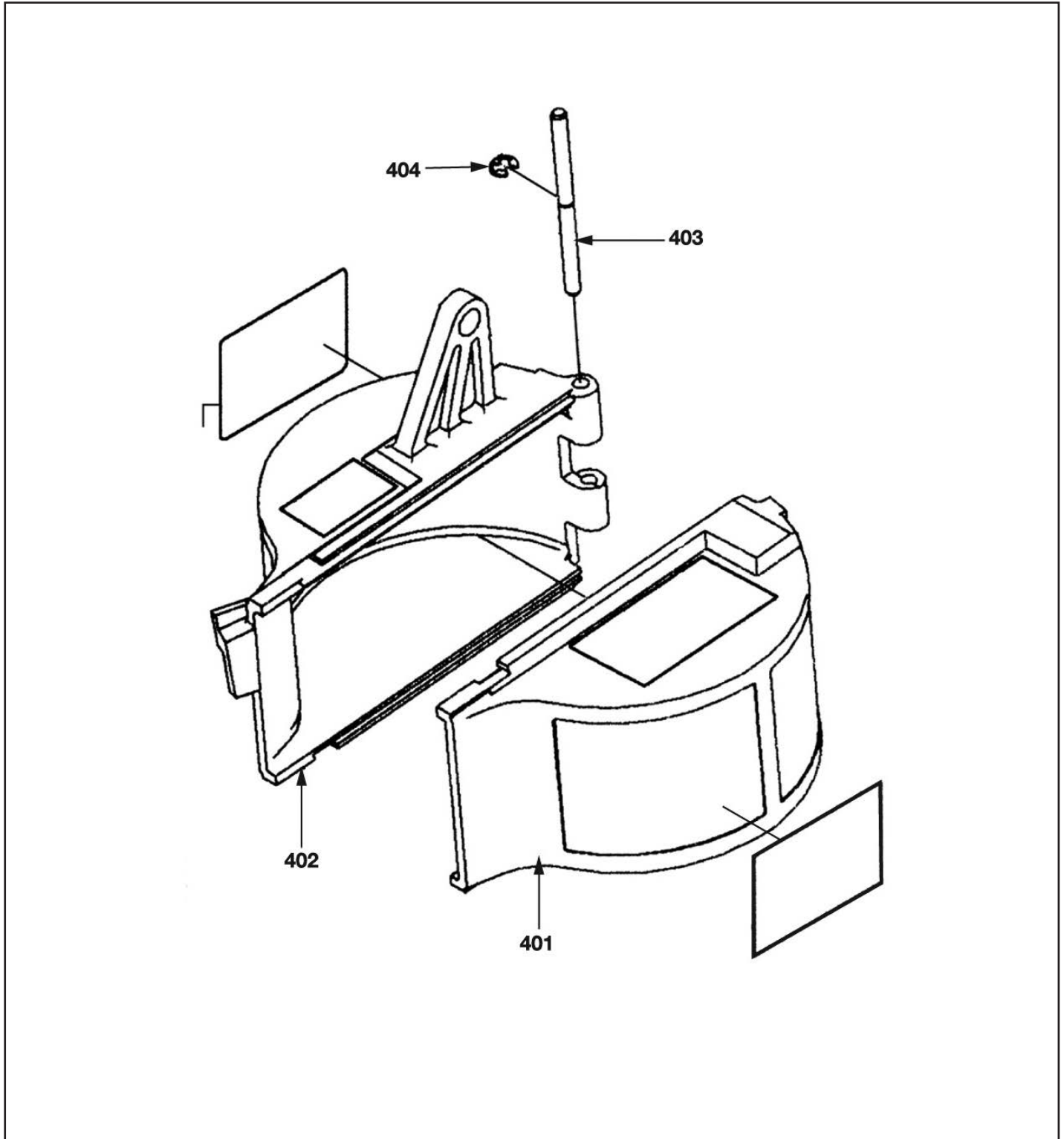
ORDER BY FAX OR EMAIL

f: 800-529-8680 e: spcustomer.service@itwserviceparts.com

KEY	PART NO.	DESCRIPTION
301	2769910	FEED TUBE O-RING
302	2654910	SCREW, LATCH
303	2653910	WASHER LATCH
304	2756910	LEVER, MAGAZINE
305	2651910	TORSION SPRING, LATCH
306	2663910	RING, STOP
307	2662910	COVER, FEED
308	2661910	CUSHION, FEED
309	2660910	SPRING, FEED PISTON
310	2659910	O-RING, LARGE
311	2657910	PISTON FEED
312	2658910	TIP-FEED
313	2656910	ROLL PIN, FEED PISTON (2 REQ'D)
314	2655910	SMALL FEED PISTON O-RING
315	2664910	GATE
316	2668910	SPRING, BACKUP TIP
317	2667910	TIP, BACKUP
318	2665910	PIN, GATE
319	2670910	TORSION SPRING, GATE
320	2669910	SPACER GATE
321	2640910	PIN, GATE
322	2666910	WASHER, URETHANE

ORDER BY FAX OR EMAIL

f: 800-529-8680 e: spcustomer.service@itwserviceparts.com



ORDER BY FAX OR EMAIL

f: 800-529-8680 e: spcustomer.service@itwserviceparts.com

SLEEVE / FEED TUBE ASSEMBLY — PART NO. 100074 (SCHEMATIC NO. 9A)

SCHEMATIC NO.	QTY	DESCRIPTION
7	1	BUMPER
9	1	SLEEVE
11	1	COMBUSTION PRESSURE FEED TUBE
12	1	WASHER/SEAL KIT
13	1	MID-CHECK RETAINING RING

CAGE ASSEMBLY - PART NO. 2714910 (SCHEMATIC NO. 17A)

SCHEMATIC NO.	QTY	DESCRIPTION
16	3	PROBE/CAGE ASSEMBLY SCREWS #10-32 X 3/8"
17	1	CAGE
18	1	UPPER PROBE

FLANGE ADAPTOR ASSEMBLY - PART NO. 100075 (SCHEMATIC NO. 22A)

SCHEMATIC NO.	QTY	DESCRIPTION
22	1	FLANGE ADAPTOR
26	1	ROLL PIN
27	1	GUIDE PIN

ORDER BY FAX OR EMAIL

f: 800-529-8680 e: spcustomer.service@itwserviceparts.com

NOSE ASSEMBLY - PART NO. 2713910 (SCHEMATIC NO. 24A)

SCHEMATIC NO.	QTY	DESCRIPTION
302	1	SCREW, LATCH
303	1	WASHER, LATCH
304	1	LEVER, MAGAZINE
305	1	TORSION SPRING, LATCH
306	1	RING, STOP
307	1	COVER, FEED
308	1	CUSHION, FEED
309	1	SPRING, FEED PISTON
310	1	O-RING, LARGE
311	1	PISTON FEED
312	1	TIP-FEED
313	2	ROLL PIN, FEED PISTON
314	1	SMALL FEED PISTON O-RING
315	1	GATE
316	1	SPRING, BACKUP TIP
317	1	TIP, BACKUP
318	1	PIN, GATE
319	1	TORSION SPRING, GATE
320	1	SPACER, GATE
321	1	PIN, GATE
322	1	WASHER, URETHANE

ORDER BY PHONE: 1-800-241-5640

SAFETY YOKE ASSEMBLY - PART NO. 2698910 (SCHEMATIC NO. 31A)

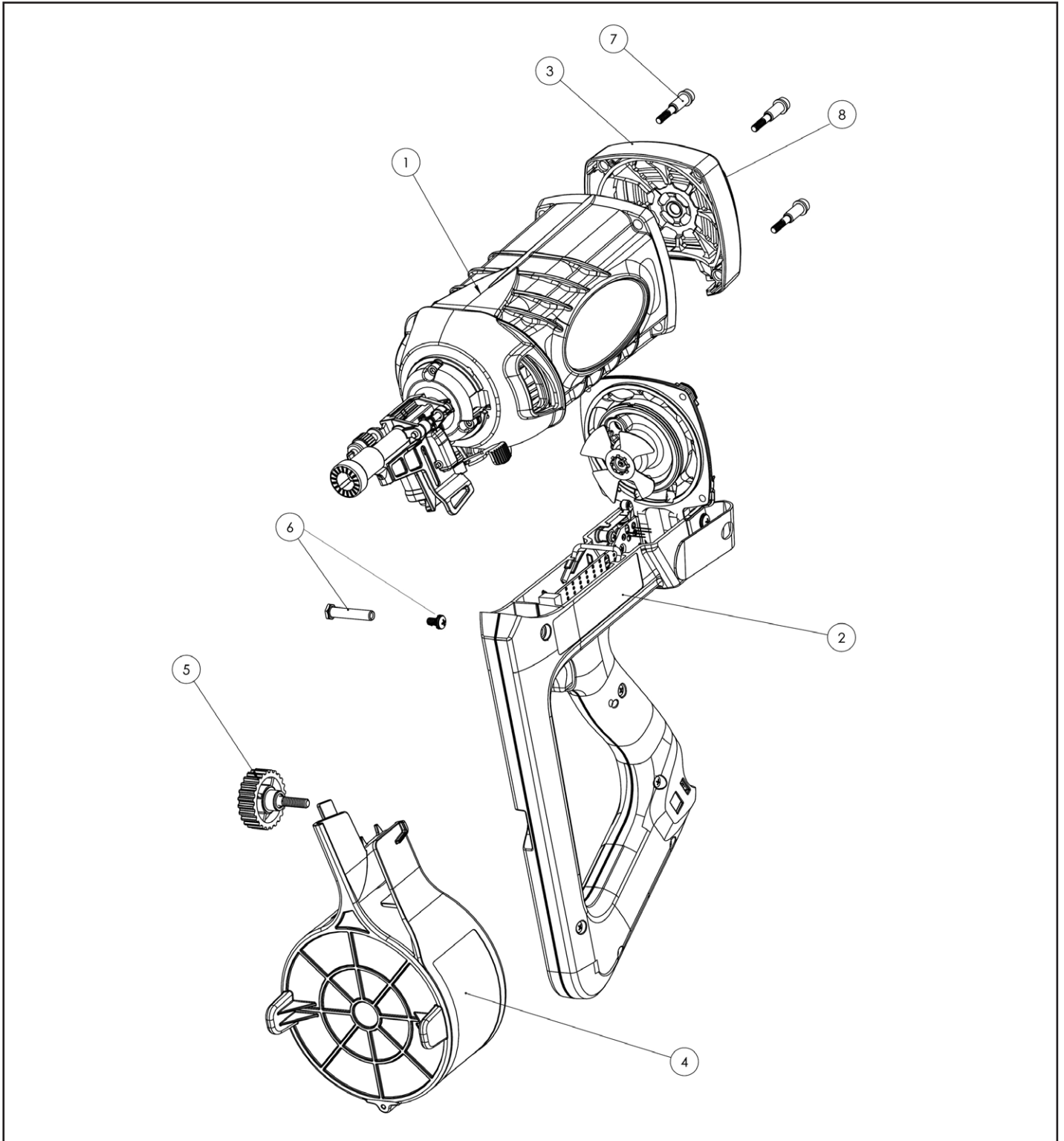
SCHEMATIC NO.	QTY	DESCRIPTION
25	1	DEPTH ADJUSTMENT BLOCK
26	1	ROLL PIN
28	1	DEPTH ADJUSTMENT ROD
29	2	BALL BEARINGS
30	1	BAND RETAINER
31	1	SAFETY YOKE
32	1	YOKE TIP

MAGAZINE ASSEMBLY - PART NO. 2696910 (SCHEMATIC NO. 89A)

SCHEMATIC NO.	QTY	DESCRIPTION
401	1	DOOR ASSEMBLY
402	1	MAGAZINE
403	1	PIN, HINGE
404	1	E-RING, HINGE PIN

ORDER BY FAX OR EMAIL

f: 800-529-8680 e: spcustomer.service@itwserviceparts.com



ORDER BY FAX OR EMAIL

f: 800-529-8680 e: spcustomer.service@itwserviceparts.com

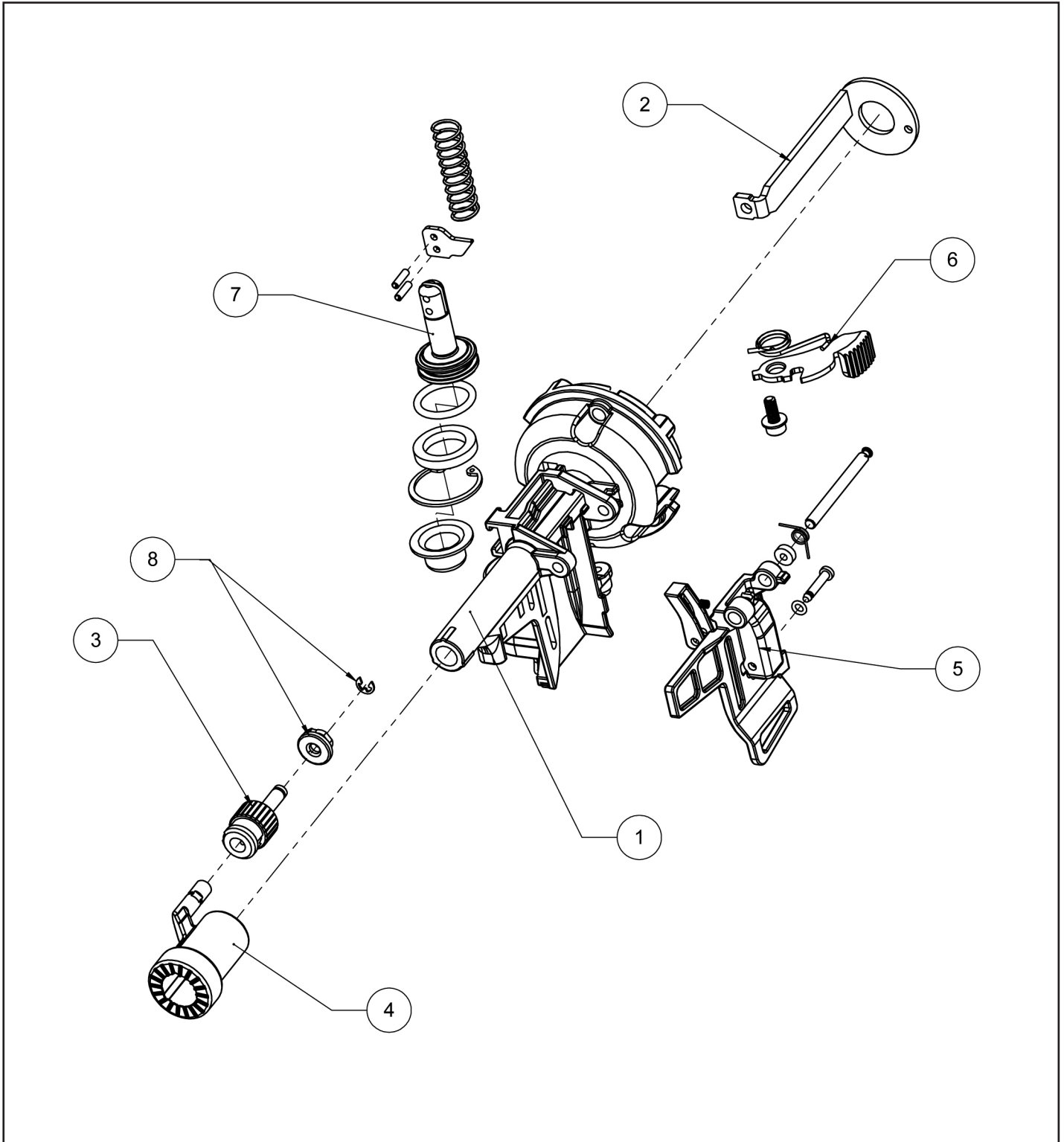
KEY	PART NO.	DESCRIPTION
1	N/A	MOTOR ASSEMBLY
2	N/A	HANDLE ASSEMBLY - TF1200
3	100266	CAP ASSEMBLY
4	100256A	G2 MAGAZINE ASSEMBLY
5	801124	KNOB ASSEMBLY - TF1200
6	100060A	BUSHING, HANDLE TO HOUSING W/SCREW
7	901063A	SHOULDER SCREW (PKG OF 4)
8	900315	FILTER SCREEN

ORDER BY FAX OR EMAILf: 800-529-8680 e: spcustomer.service@itwserviceparts.com

KEY	PART NO.	DESCRIPTION
1	100229	NOSE ASSEMBLY
2	100069A	SLEEVE ASSEMBLY
3	902233	COMBUSTION CHAMBER ASSEMBLY
4	100174	BUMPER
5	900943A	RINGS, SLEEVE (PKG OF 2)
6	408837A	COMBUSTION CHAMBER PINS & SPRINGS (PKG OF 2)
7	100262	SUPPORT PLATE, SLEEVE
8	100070	CAGE
9	100259A	ADVANCE PISTON COVER ASSEMBLY
10	100158G2	SHROUD RING
11	100045G2	SHROUD
12	900296	FLANGE SCREW (PKG OF 3)
13	100073	HOUSING ASSEMBLY
14	100338	RUBBER GASKET
15	2769910	O-RING
16	100050G2	PISTON ASSEMBLY
17	401328	RETENTION RING, PISTON
18	7405055	PISTON RINGS
19	404464	RUBBER STOP, CAGE (2)

ORDER BY FAX OR EMAIL

f: 800-529-8680 e: spcustomer.service@itwserviceparts.com



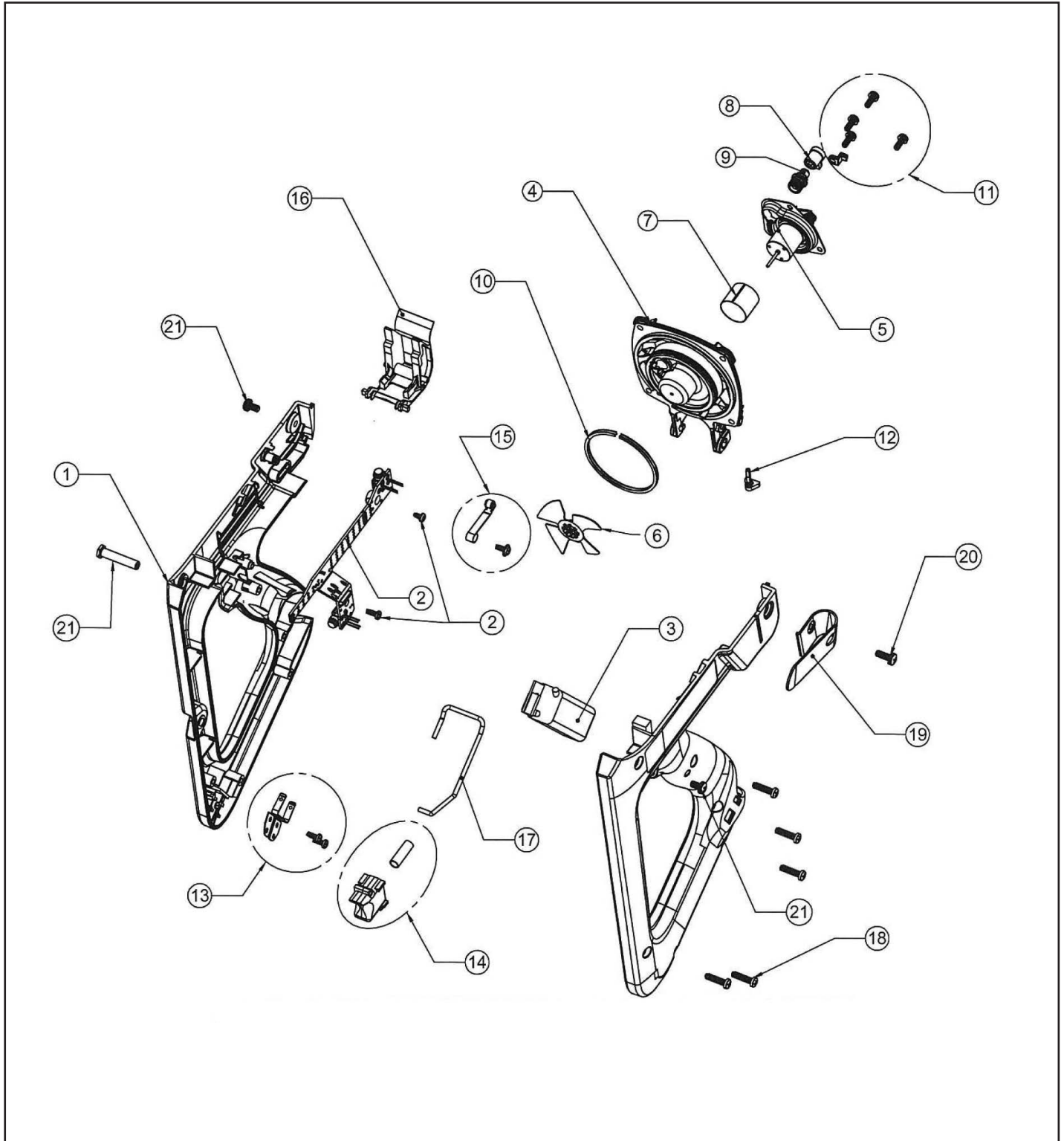
ORDER BY FAX OR EMAIL

f: 800-529-8680 e: spcustomer.service@itwserviceparts.com

KEY	PART NO.	DESCRIPTION
1	100229	NOSE
2	100249	ACTUATOR ASSEMBLY
3	100251	DEPTH ADJUSTMENT DIAL ASSEMBLY
4	100250	WORK CONTACT ELEMENT
4A	100342	G2 MAGNETIC LATH PROBE (NOT SHOWN)
5	100230	DOOR ASSEMBLY
6	100232	LATCH ASSEMBLY
7	100241	ADVANCE PISTON ASSEMBLY
8	100254A	DEPTH ADJUST DIAL RETENTION NUT AND CIRCLIP

ORDER BY FAX OR EMAIL

f: 800-529-8680 e: spcustomer.service@itwserviceparts.com

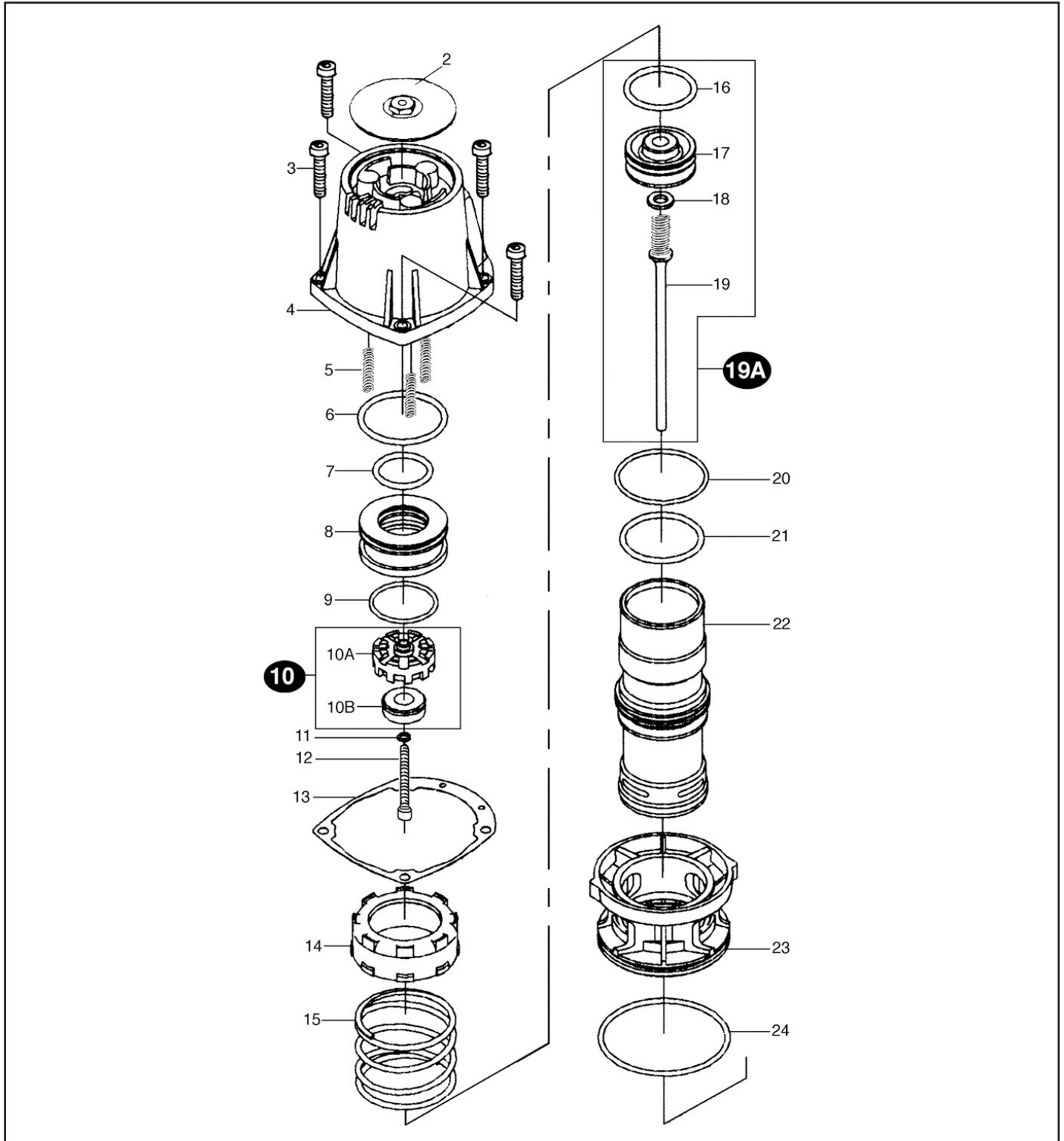


ORDER BY FAX OR EMAIL

f: 800-529-8680 e: spcustomer.service@itwserviceparts.com

KEY	PART NO.	DESCRIPTION
1	100056A	RIGHT AND LEFT HANDLE HALF
2	100059A	MOLDED CIRCUIT BOARD W/MOUNTING SCREWS
3	900474	MSU
4	100058	CYLINDER HEAD
5	901430A	MOTOR ASSEMBLY, FAN
6	403167	FAN BLADE ASSEMBLY
7	401356	MOTOR SLEEVE
8	100157	HIGH VOLTAGE WIRE ASSEMBLY
9	7505164	SPARK PLUG ASSEMBLY
10	900935A	CYLINDER HEAD STEEL RINGS (PKG OF 2)
11	900596A	CYLINDER HEAD SCREWS AND WIRE BRACKET
12	401340	RED STEM ADAPTOR
13	100095A	BATTERY CONTACTS AND SCREWS
14	404435A	TRIGGER AND SPRING
15	100184A	LEVER ASSEMBLY AND SCREW
16	900966	ACTUATOR ASSEMBLY
17	100097	CHAMBER LOCKOUT BAR
18	B0100A	HANDLE SCREWS
19	401495	BELT HOOK
20	401407	CYLINDER HEAD/BELT HOOK SCREW
21	100060A	HANDLE TO HOUSING BUSHING AND SCREWS
—	901422	PC BOARD ASSY, TF1200 (MUST USE WITH 901430 FAN MOTOR)
—	7505021	DANGER LABEL
—	7505022	SEQUENCE LABEL
—	7505025	WARNING LABEL

ORDER BY FAX OR EMAILf: 800-529-8680 e: spcustomer.service@itwserviceparts.com

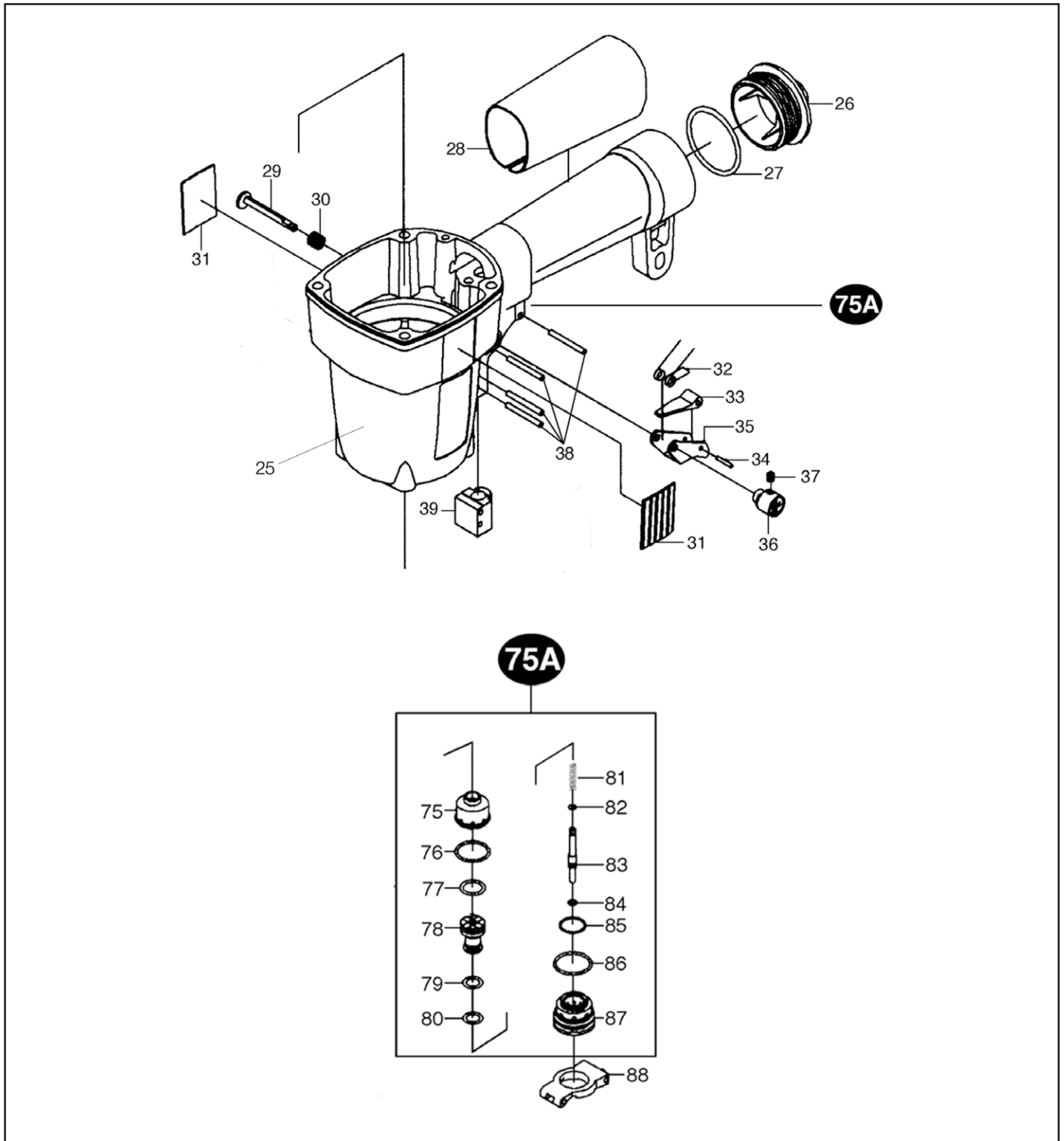


ORDER BY FAX OR EMAIL

f: 800-529-8680 e: spcustomer.service@itwserviceparts.com

KEY	PART NO.	DESCRIPTION
2	2597910	PLATE, EXHAUST (PLATE AND NUT INCLUDED)
3	2598910	SCREW, CAP (4 REQ'D)
4	2599910	CAP
5	2600910	SPRING (3 REQ'D)
6	2601910	O-RING, LARGE POPPET
7	2602910	O-RING, SMALL POPPET
8	2603910	POPPET
9	2604910	O-RING, EXHAUST SEAL
11	2606910	WASHER, EXHAUST SEAL
12	2607910	SCREW, EXHAUST SEAL
13	2608910	GASKET, CAP
14	2609910	SLEEVE, SEAL
15	2610910	SPRING, SEAL SLEEVE
16	2611910	O-RING, PISTON
20	2616910	O-RING, LARGE CYLINDER
21	2617910	O-RING, SMALL CYLINDER
22	2618910	CYLINDER
23	2619910	RING, CYLINDER
24	2620910	O-RING, CYLINDER RING

ORDER BY FAX OR EMAIL**f: 800-529-8680 e: spcustomer.service@itwserviceparts.com**



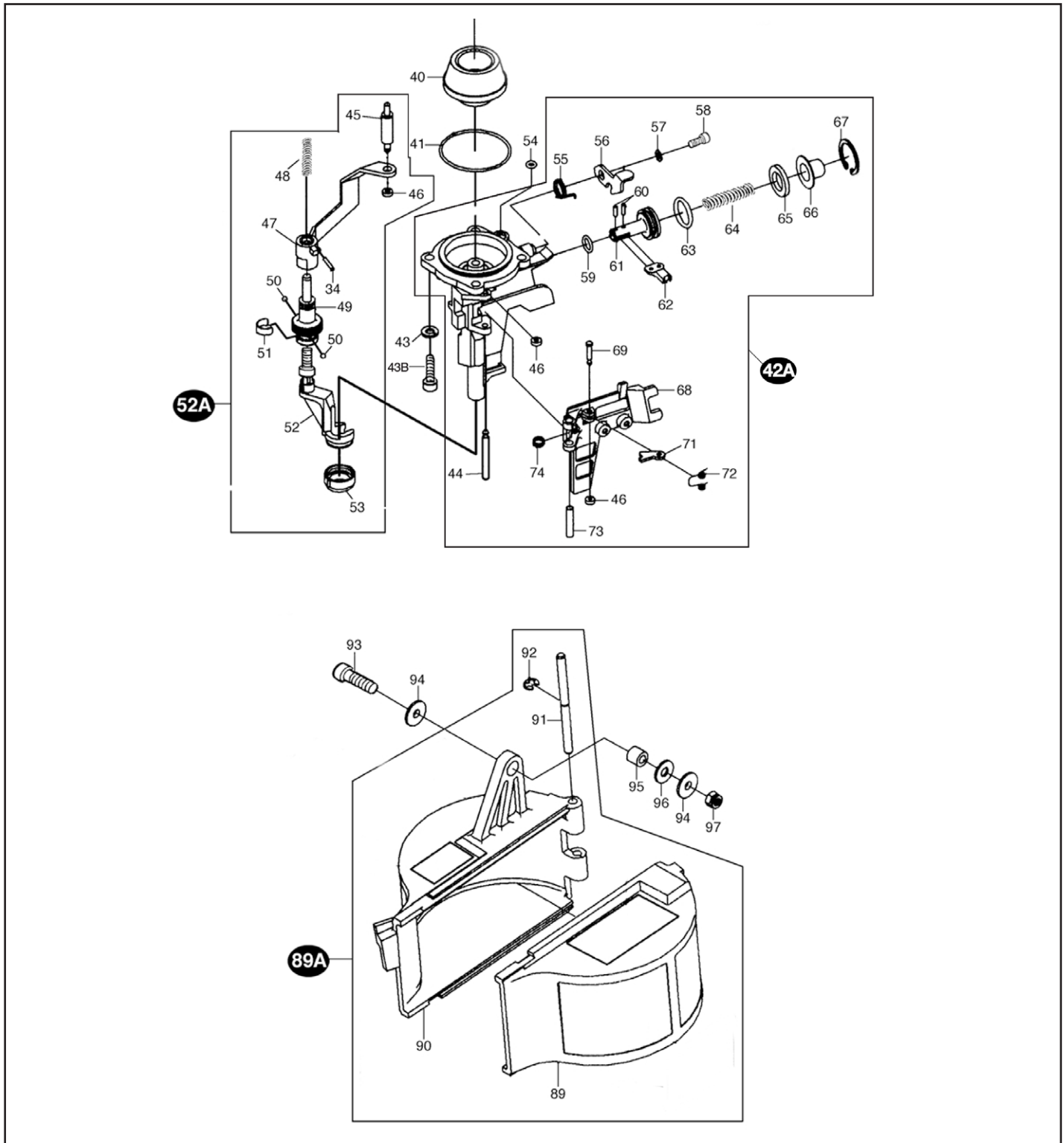
ORDER BY FAX OR EMAIL

f: 800-529-8680 e: spcustomer.service@itwserviceparts.com

KEY	PART NO.	DESCRIPTION
25	2621910	HANDLE
26	2622910	CAP, REAR
27	2623910	O-RING, REAR CAP
28	2624910	COVER, GRIP
29	2625910	PIN, TRIGGER
30	2626910	SPRING, TRIGGER PIN
31	2627910	COVER, SIDE
32	2628910	SPRING, TORSION, TRIGGER
33	2629910	LEVER, TRIP
34	2630910	ROLL PIN
35	2631910	TRIGGER
36	2632910	KNOB, SWITCH
37	2633910	SET SCREW, SWITCH KNOB
38	2634910	ROLL PIN, HANDLE (4 REQ'D)
39	2635910	ROD GUIDE
88	2684910	PLATE, TRIGGER

ORDER BY FAX OR EMAIL

f: 800-529-8680 e: spcustomer.service@itwserviceparts.com



ORDER BY FAX OR EMAIL

f: 800-529-8680 e: spcustomer.service@itwserviceparts.com

KEY	PART NO.	DESCRIPTION
40	2636910	BUMPER
41	2637910	O-RING, NOSE
43	2639910	WASHER (4 REQ'D)
43B	2450910	SCREW (4 REQ'D)
44	2640910	PIN, GATE
46	2666910	WASHER, URETHANE
50	2646910	BALL BEARINGS (PKG OF 2)
51	2647910	BAND RETAINER
53	2649910	TIP, YOKE
54	2650910	O-RING, ROD GUIDE
55	2651910	TORSION SPRING, LATCH
56	2652910	LATCH
57	2653910	WASHER, LATCH
58	2654910	SCREW, LATCH
59	2655910	SMALL FEED PISTON O-RING
60	2656910	ROLL PIN, FEED PISTON
61	2657910	PISTON, FEED
62	2658910	TIP, FEED
63	2659910	LARGE FEED PISTON O-RING
64	2660910	SPRING, FEED PISTON
65	2661910	CUSHION, FEED
66	2662910	COVER, FEED
67	2663910	RING, STOP
68	2664910	GATE
69	2665910	PIN, GATE
71	2667910	TIP, BACKUP
72	2668910	SPRING, BACKUP TIP
73	2669910	SPACER, GATE
74	2670910	TORSION SPRING, GATE
93	2689910	SCREW, MAGAZINE
94	2690910	WASHER
95	2691910	SPACER, GATE
96	2692910	WASHER, RUBBER
97	2693910	NUT

ORDER BY FAX OR EMAILf: 800-529-8680 e: spcustomer.service@itwserviceparts.com

OVERHAUL O-RING KIT — PART NO. 2699910

SCHEMATIC NO.	QTY	DESCRIPTION
6	1	O-RING, LARGE POPPET
7	1	O-RING, SMALL POPPET
9	1	O-RING, EXHAUST SEAL
16	1	O-RING, PISTON
20	1	O-RING, LARGE CYLINDER
21	1	O-RING, SMALL CYLINDER
24	1	O-RING, CYLINDER RING
59	1	O-RING, SMALL FEED PISTON
63	1	O-RING, LARGE FEED PISTON

EXHAUST ASSEMBLY — Part No. 2695910 (SCHEMATIC No. 10)

SCHEMATIC NO.	QTY	DESCRIPTION
10A	1	SEAL, EXHAUST
10B	1	CUSHION

PISTON ASSEMBLY — PART NO. 2615910 (SCHEMATIC NO. 19A)

SCHEMATIC NO.	QTY	DESCRIPTION
16	1	O-RING, PISTON
17	1	PISTON
18	1	WASHER, PISTON
19	1	DRIVER BLADE, PISTON

ORDER BY PHONE: 1-800-241-5640

NOSE ASSEMBLY - PART NO. 2638910 (SCHEMATIC NO. 42A)

SCHEMATIC NO.	QTY	DESCRIPTION
44	1	PIN, GATE
46	1	WASHER, URETHANE
55	1	TORSION SPRING, LATCH
56	1	LEVER, MAGAZINE
57	1	WASHER, LATCH
58	1	SCREW, LATCH
59	1	SMALL FEED PISTON O-RING
60	2	ROLL PIN, FEED PISTON
61	1	PISTON FEED
62	1	TIP-FEED
63	1	O-RING, LARGE
64	1	SPRING, FEED PISTON
65	1	CUSHION, FEED
66	1	COVER, FEED
67	1	RING, STOP
68	1	GATE
69	1	PIN, GATE
71	1	TIP, BACKUP
72	1	SPRING, BACKUP TIP
73	1	SPACER, GATE
74	1	TORSION SPRING, GATE

ORDER BY FAX OR EMAIL

f: 800-529-8680 e: spcustomer.service@itwserviceparts.com

SAFETY YOKE ASSEMBLY — PART NO. 2697910 (SCHEMATIC NO. 52A)

SCHEMATIC NO.	QTY	DESCRIPTION
34	1	ROLL PIN
45	1	ROD, TRIGGER
46	1	WASHER, TRIGGER ROD
47	1	YOKE, UPPER
48	1	SPRING, UPPER YOKE
49	1	KNOB, ADJUSTMENT
50	2	BALL BEARINGS, ADJ. KNOB
51	1	BAND RETAINER
52	1	YOKE, SAFETY
53	1	TIP, YOKE

VALVE ASSEMBLY — PART NO. 2694910 (SCHEMATIC NO. 75A)

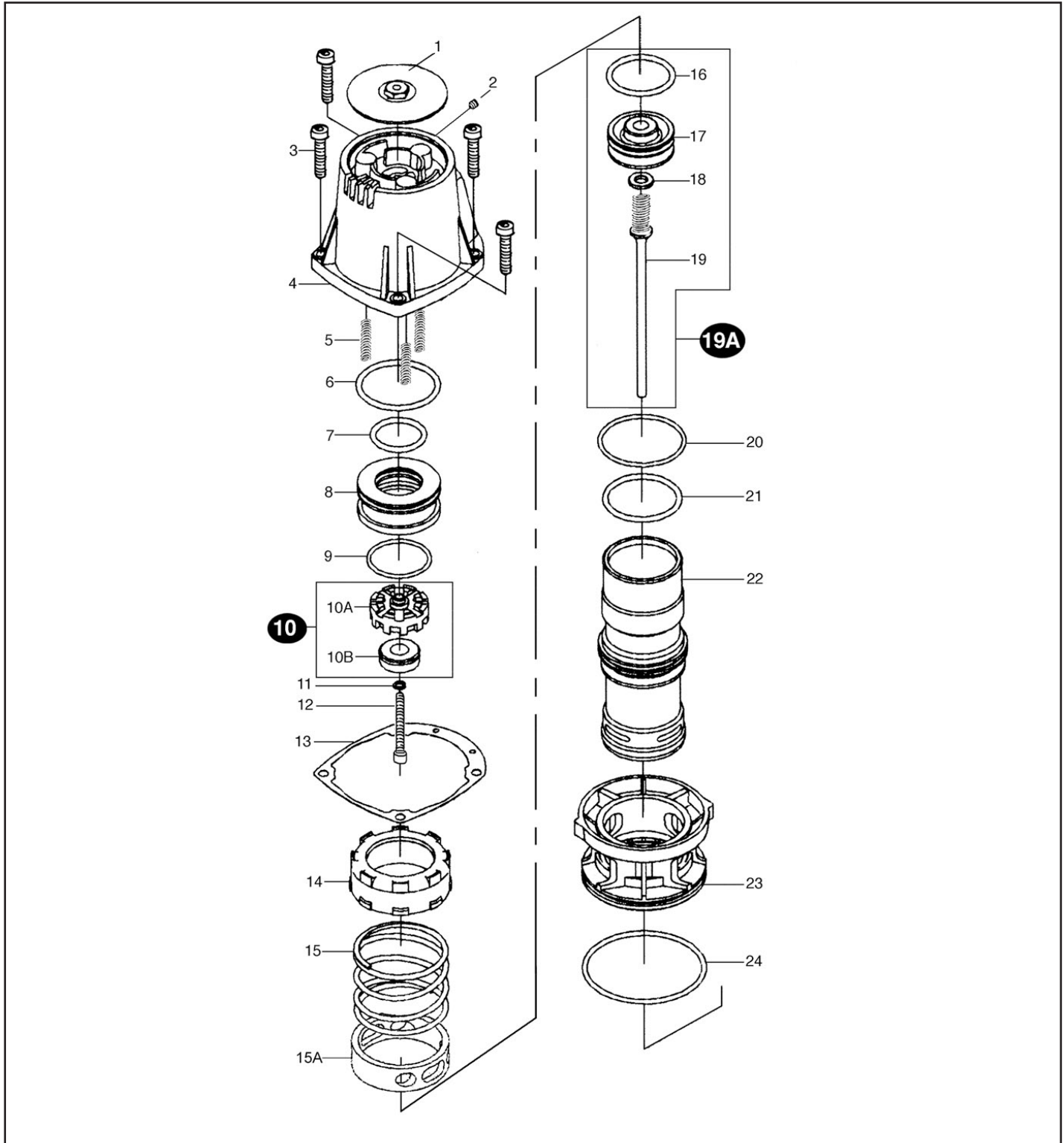
SCHEMATIC NO.	QTY	DESCRIPTION
75	1	HOUSING VALVE
76	1	O-RING, VALVE HOUSING
77	1	O-RING, SMALL VALVE HOUSING
78	1	STEM, VALVE
79	1	O-RING, VALVE STEM
80	1	O-RING, VALVE STEM
81	1	SPRING, VALVE PIN
82	1	O-RING, SMALL VALVE PIN
83	1	PIN, VALVE
84	1	O-RING, VALVE PIN
85	1	O-RING, SMALL VALVE COVER
86	1	O-RING, VALVE COVER
87	1	COVER, VALVE

ORDER BY PHONE: 1-800-241-5640

MAGAZINE ASSEMBLY - Part No. 2696910 (Schematic No. 89A)

SCHEMATIC NO.	QTY	DESCRIPTION
89	1	DOOR, MAGAZINE
90	1	MAGAZINE
91	1	PIN, HINGE
92	1	E-RING, HINGE PIN

ORDER BY FAX OR EMAILf: 800-529-8680 e: spcustomer.service@itwserviceparts.com



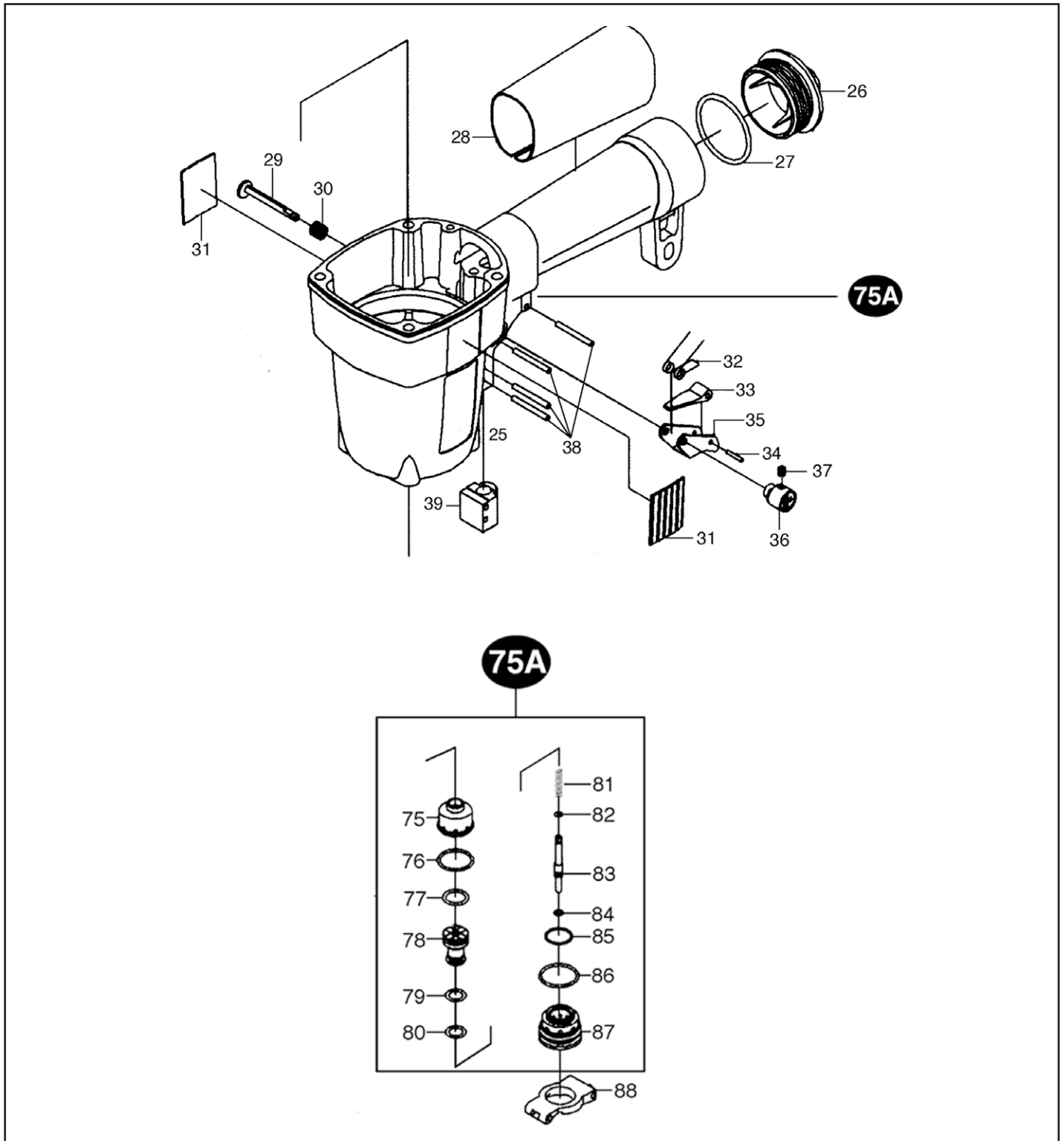
ORDER BY FAX OR EMAIL

f: 800-529-8680 e: spcustomer.service@itwserviceparts.com

KEY	PART NO.	DESCRIPTION
1	2597910	BUSHING/PLATE EXHAUST
2	2437910	SET SCREW
3	2438910	SCREW, CAP HD AIR (4 REQ'D)
4	2439910	CAP HD AIR
5	2600910	SPRING (3 REQ'D)
6	2601910	O-RING, LARGE POPPET
7	2602910	O-RING, SMALL POPPET
8	2603910	POPPET
9	2604910	O-RING, EXHAUST SEAL
11	2606910	WASHER, EXHAUST SEAL
12	2607910	SCREW, EXHAUST SEAL
13	2608910	GASKET, CAP
14	2609910	SLEEVE, SEAL
15	2610910	SPRING, SEAL SLEEVE
15A	2441910	EXHAUST RING, HD AIR
16	2611910	O-RING, PISTON
20	2616910	O-RING, LARGE CYLINDER
21	2617910	O-RING, SMALL CYLINDER
22	2445910	CYLINDER HD AIR
23	2619910	RING, CYLINDER
24	2620910	O-RING, CYLINDER RING

ORDER BY FAX OR EMAIL

f: 800-529-8680 e: spcustomer.service@itwserviceparts.com

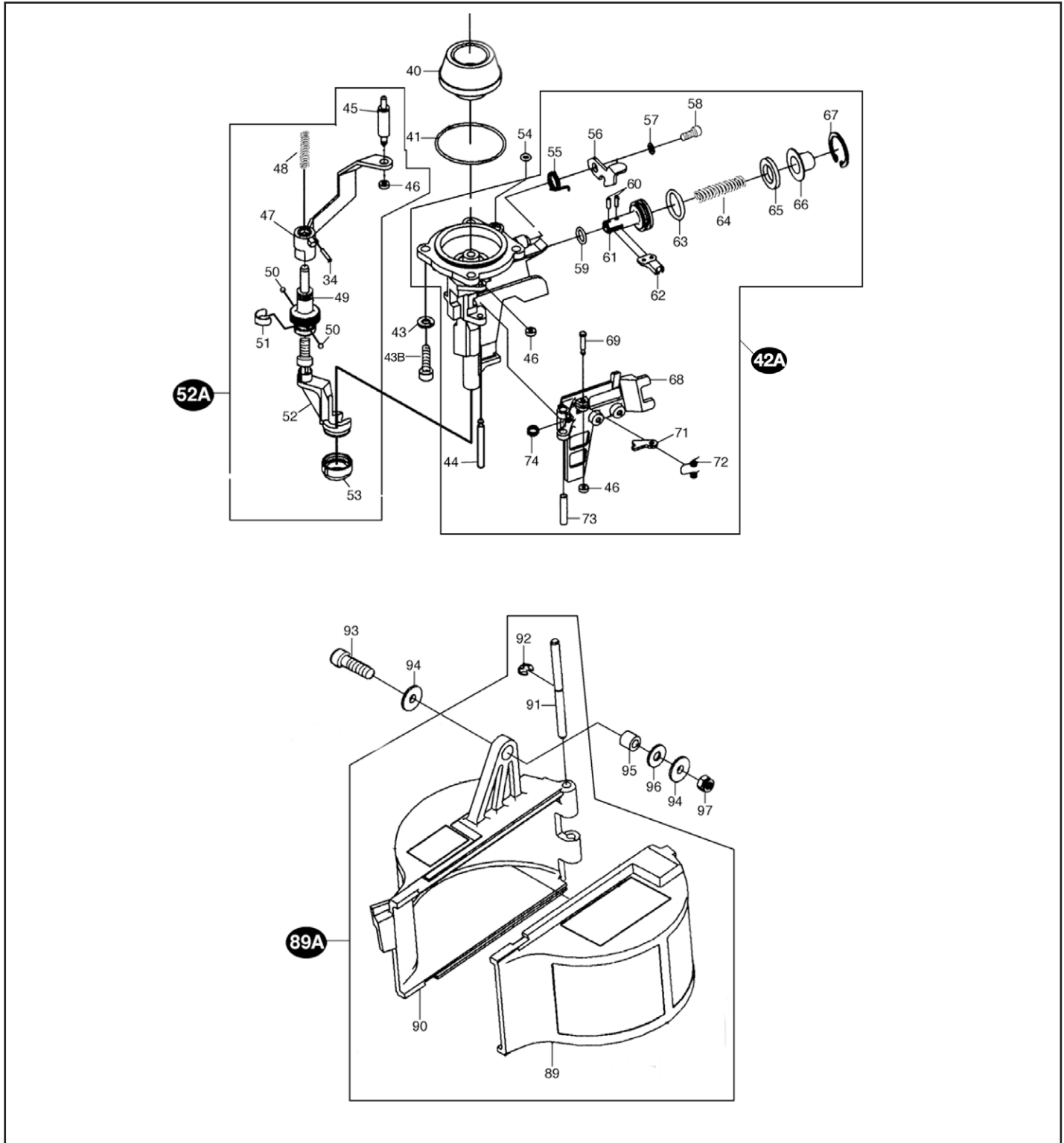


ORDER BY FAX OR EMAIL

f: 800-529-8680 e: spcustomer.service@itwserviceparts.com

KEY	PART NO.	DESCRIPTION
25	2621910	HANDLE
26	2622910	CAP, REAR
27	2623910	O-RING, REAR CAP
28	2624910	COVER, GRIP
29	2625910	PIN, TRIGGER
30	2626910	SPRING, TRIGGER PIN
31	2627910	COVER, SIDE
32	2628910	SPRING, TORSION, TRIGGER
33	2629910	LEVER, TRIP
35	2631910	TRIGGER
36	2632910	KNOB, SWITCH
37	2633910	SET SCREW, SWITCH KNOB
38	2634910	ROLL PIN, HANDLE (4 REQ'D)
39	2635910	ROD GUIDE
88	2684910	PLATE, TRIGGER

ORDER BY FAX OR EMAILf: 800-529-8680 e: spcustomer.service@itwserviceparts.com



ORDER BY FAX OR EMAIL

f: 800-529-8680 e: spcustomer.service@itwserviceparts.com

KEY	PART NO.	DESCRIPTION
40	2636910	BUMPER
41	2637910	O-RING, NOSE
43	2639910	WASHER (4 REQ'D)
43B	2450910	SCREW, HD AIR (4 REQ'D)
44	2640910	PIN, GATE
46	2666910	WASHER, URETHANE
50	2646910	BALL BEARINGS (PKG OF 2)
51	2647910	BAND RETAINER
53	2649910	TIP, YOKE
54	2650910	O-RING, ROD GUIDE
55	2651910	TORSION SPRING, LATCH
56	2652910	LATCH
57	2653910	WASHER, LATCH
58	2654910	SCREW, LATCH
59	2655910	SMALL FEED PISTON O-RING
60	2656910	ROLL PIN, FEED PISTON
61	2657910	PISTON, FEED
62	2658910	TIP, FEED
63	2659910	LARGE FEED PISTON O-RING
64	2660910	SPRING, FEED PISTON
65	2661910	CUSHION, FEED
66	2662910	COVER, FEED
67	2663910	RING, STOP
68	2664910	GATE
69	2665910	PIN, GATE
71	2667910	TIP, BACKUP
72	2668910	SPRING, BACKUP TIP
73	2669910	SPACER, GATE
74	2670910	TORSION SPRING, GATE
93	2689910	SCREW, MAGAZINE
94	2690910	WASHER
95	2691910	SPACER, GATE
96	2692910	WASHER, RUBBER
97	2693910	NUT

ORDER BY FAX OR EMAIL

f: 800-529-8680 e: spcustomer.service@itwserviceparts.com

OVERHAUL O-RING KIT — PART NO. 2699910

SCHEMATIC NO.	QTY	DESCRIPTION
6	1	O-RING, LARGE POPPET
7	1	O-RING, SMALL POPPET
9	1	O-RING, EXHAUST SEAL
16	1	O-RING, PISTON
20	1	O-RING, LARGE CYLINDER
21	1	O-RING, SMALL CYLINDER
24	1	O-RING, CYLINDER RING
59	1	O-RING, SMALL FEED PISTON
63	1	O-RING, LARGE FEED PISTON

EXHAUST ASSEMBLY — Part No. 2695910 (SCHEMATIC No. 10)

SCHEMATIC NO.	QTY	DESCRIPTION
10A	1	SEAL, EXHAUST
10B	1	CUSHION

PISTON ASSEMBLY — PART NO. 2458910 (SCHEMATIC NO. 19A HD)

SCHEMATIC NO.	QTY	DESCRIPTION
16	1	O-RING, PISTON HD AIR
17	1	PISTON HD AIR
18	1	WASHER, PISTON
19	1	DRIVER BLADE, PISTON HD AIR

ORDER BY PHONE: 1-800-241-5640

**NOSE ASSEMBLY - PART NO. 2448910 (SCHEMATIC NO. 42A HD)
SCHEMATIC NO. QTY DESCRIPTION**

44	1	PIN, GATE
46	1	WASHER, URETHANE
55	1	TORSION SPRING, LATCH
56	1	LEVER, MAGAZINE
57	1	WASHER, LATCH
58	1	SCREW, LATCH
59	1	SMALL FEED PISTON O-RING
60	2	ROLL PIN, FEED PISTON
61	1	PISTON FEED
62	1	TIP-FEED
63	1	O-RING, LARGE
64	1	SPRING, FEED PISTON
65	1	CUSHION, FEED
66	1	COVER, FEED
67	1	RING, STOP
68	1	GATE
69	1	PIN, GATE
71	1	TIP, BACKUP
72	1	SPRING, BACKUP TIP
73	1	SPACER, GATE
74	1	TORSION SPRING, GATE

ORDER BY FAX OR EMAIL

f: 800-529-8680 e: spcustomer.service@itwserviceparts.com

SAFETY YOKE ASSEMBLY — PART NO. 2459910 (SCHEMATIC NO. 52A HD)

SCHEMATIC NO.	QTY	DESCRIPTION
34	1	ROLL PIN
45	1	ROD, TRIGGER
46	1	WASHER, TRIGGER ROD
47	1	YOKE, UPPER HD AIR
48	1	SPRING, UPPER YOKE
49	1	KNOB, ADJUSTMENT
50	2	BALL BEARINGS, ADJ. KNOB
51	1	BAND RETAINER
52	1	YOKE, SAFETY HD AIR
53	1	TIP, YOKE

VALVE ASSEMBLY — PART NO. 2694910 (SCHEMATIC NO. 75A HD)

SCHEMATIC NO.	QTY	DESCRIPTION
75	1	HOUSING VALVE
76	1	O-RING, VALVE HOUSING
77	1	O-RING, SMALL VALVE HOUSING
78	1	STEM, VALVE
79	1	O-RING, VALVE STEM
80	1	O-RING, VALVE STEM
81	1	SPRING, VALVE PIN
82	1	O-RING, SMALL VALVE PIN
83	1	PIN, VALVE
84	1	O-RING, VALVE PIN
85	1	O-RING, SMALL VALVE COVER
86	1	O-RING, VALVE COVER
87	1	COVER, VALVE

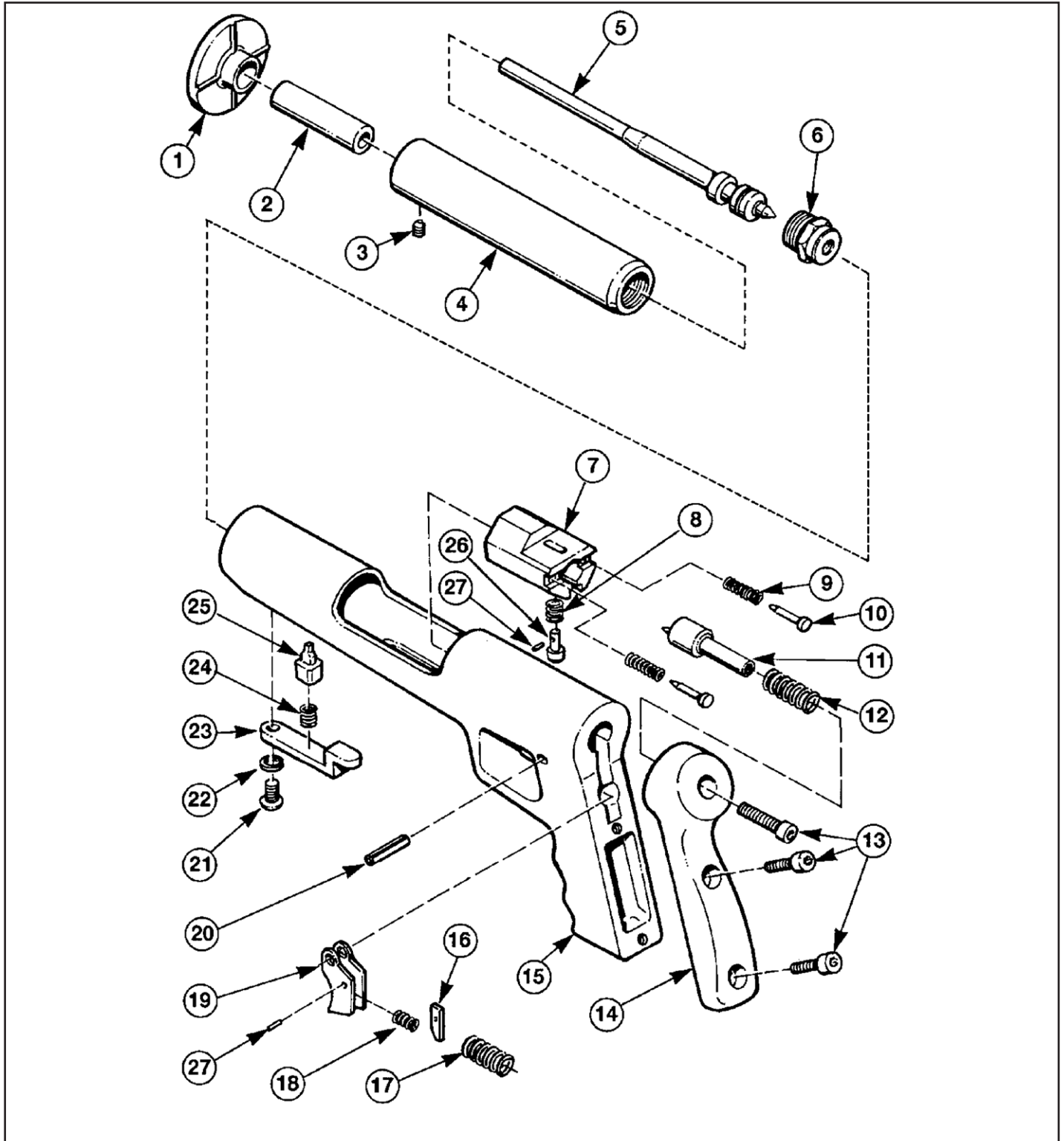
ORDER BY PHONE: 1-800-241-5640

MAGAZINE ASSEMBLY - Part No. 2696910 (Schematic No. 89A HD)
SCHEMATIC NO. QTY DESCRIPTION

89	1	DOOR, MAGAZINE
90	1	MAGAZINE
91	1	PIN, HINGE
92	1	E-RING, HINGE PIN

ORDER BY FAX OR EMAIL

f: 800-529-8680 e: spcustomer.service@itwserviceparts.com

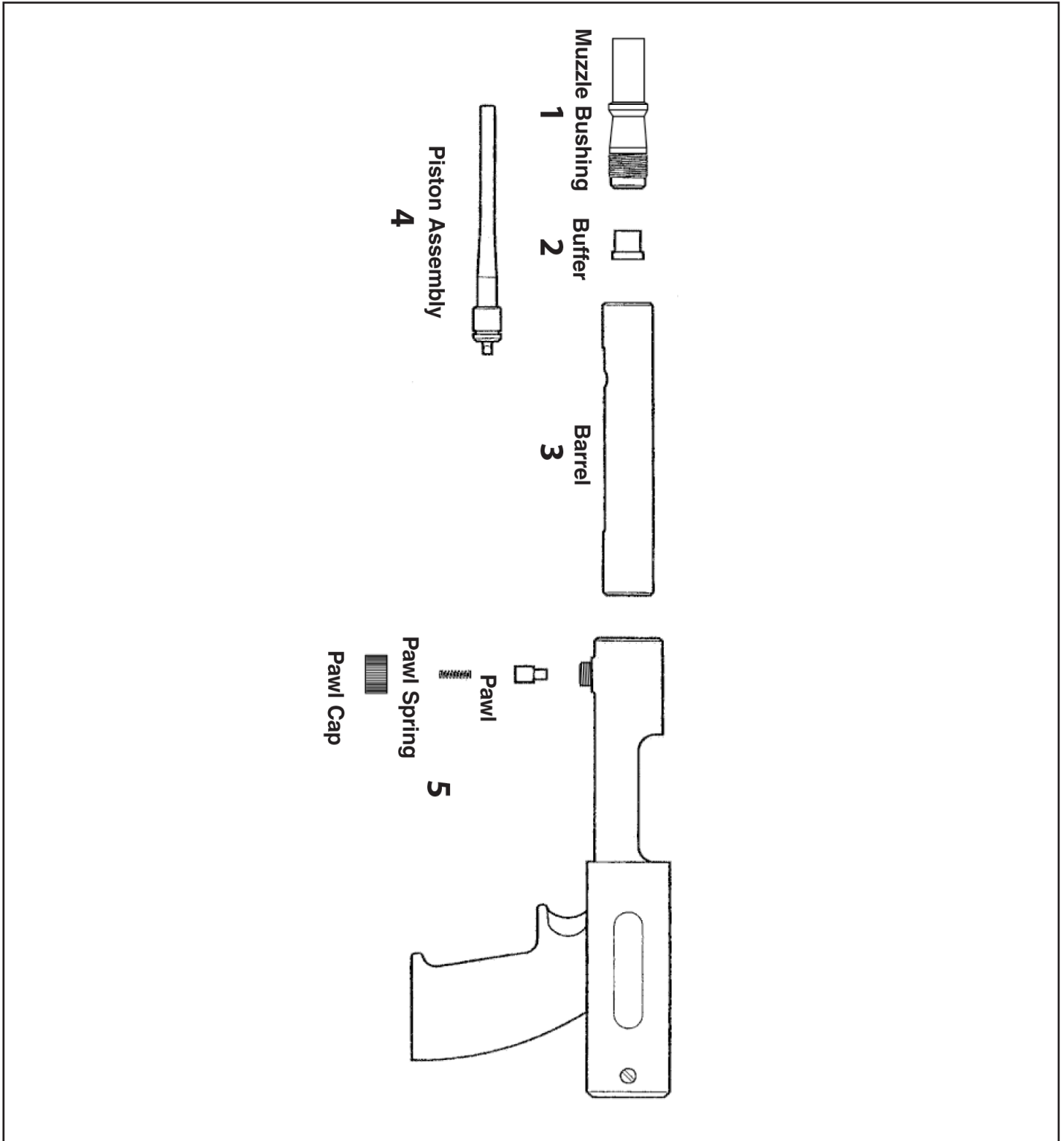


ORDER BY FAX OR EMAIL

f: 800-529-8680 e: spcustomer.service@itwserviceparts.com

KEY	PART NO.	DESCRIPTION
1	12266	SPALL GUARD
2	12258	BARREL EXTENSION
3	12260	BARREL EXTENSION SCREW
4	12108	BARREL ASSEMBLY
5	33657	PISTON /RING ASSEMBLY
6	33650	BREECH PLUG
7	33640	BREECH BLOCK
8	33659	SEAR SPRING
9	33642	BREECH BLOCK SPRING
10	33641	BREECH BLOCK SPRING PIN
11	12085	FIRING PIN
12	33658	FIRING PIN SPRING
13	33674	HANDLE/FIRING PIN SCREW
14	81681	RUBBER HANDLE
15	22101	HOUSING ASSEMBLY
16	33667	TRIGGER BAR
17	33647	TRIGGER SPRING
18	33668	TRIGGER BAR SPRING
19	33646	TRIGGER
20	12476	TRIGGER ROLL PIN
21	22798	STOP PIN COVER SCREW
22	22790	LOCK WASHER
23	22088	STOP PIN COVER
24	12388	STOP PIN SPRING
25	33645	STOP PIN
26	81649	SEAR
27	33671	SEAR/TRIGGER BAR ROLL PIN
30	33679	RUBBER BUMPER NOT SHOWN
—	0318R0030	DANGER LABEL, WHITE

ORDER BY FAX OR EMAILf: 800-529-8680 e: spcustomer.service@itwserviceparts.com



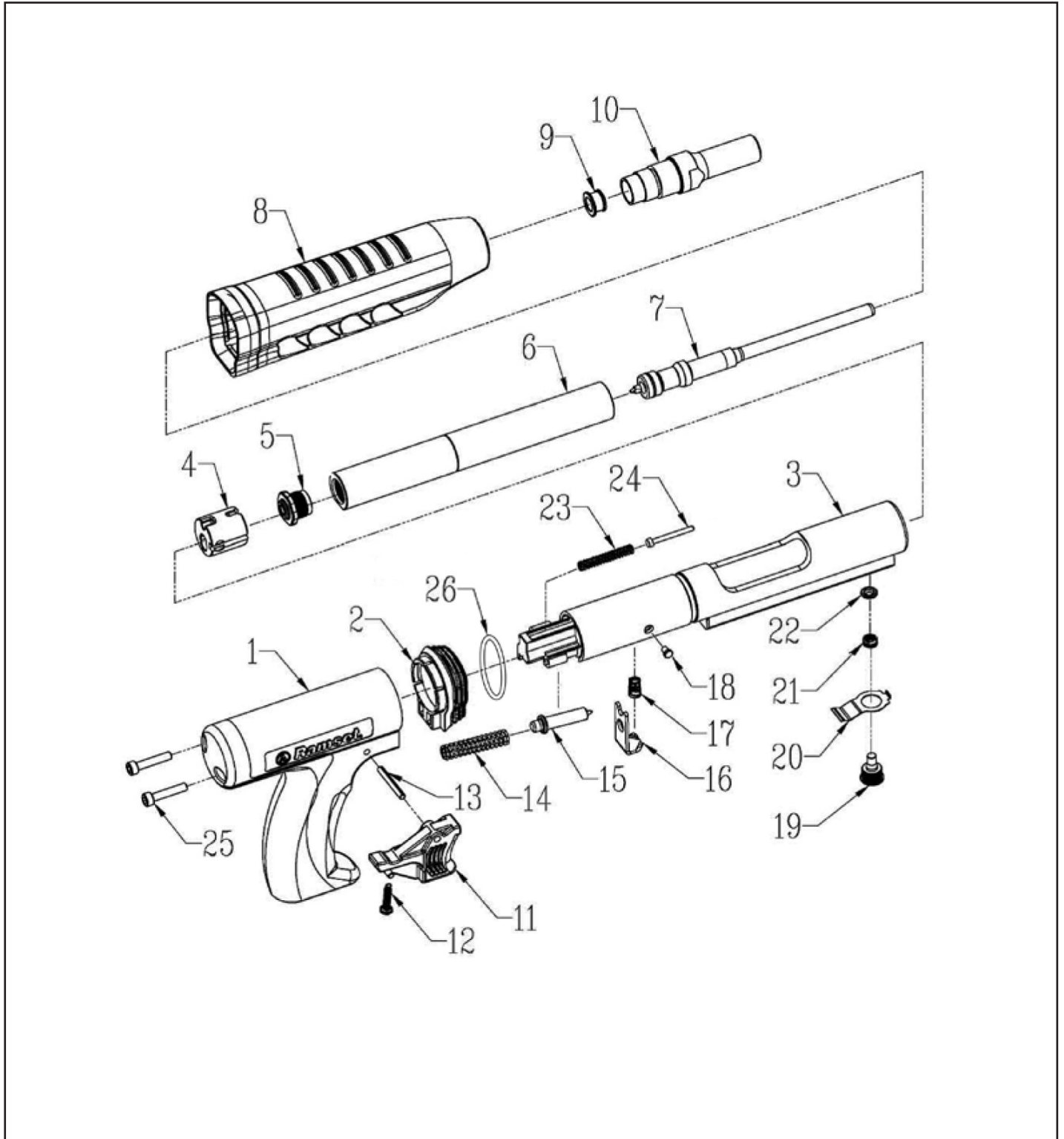
ORDER BY FAX OR EMAIL

f: 800-529-8680 e: spcustomer.service@itwserviceparts.com

KEY	PART NO	DESCRIPTION
1	250501	MUZZLE BUSHING
2	250502	BUFFER
3	250300	BARREL
4	250400	PISTON ASSEMBLY
5	250700	PAWL ASSEMBLY
6	250704	SPALL GUARD

ORDER BY FAX OR EMAIL

f: 800-529-8680 e: spcustomer.service@itwserviceparts.com



ORDER BY FAX OR EMAIL

f: 800-529-8680 e: spcustomer.service@itwserviceparts.com

KEY	PART NO	DESCRIPTION
7	235320	PISTON ASSEMBLY
9	235332	BUFFER
10	235331	MUZZLE BUSHING
19	235208	PAWL
—	250704	SPALL GUARD (NOT SHOWN)

ORDER BY FAX OR EMAIL

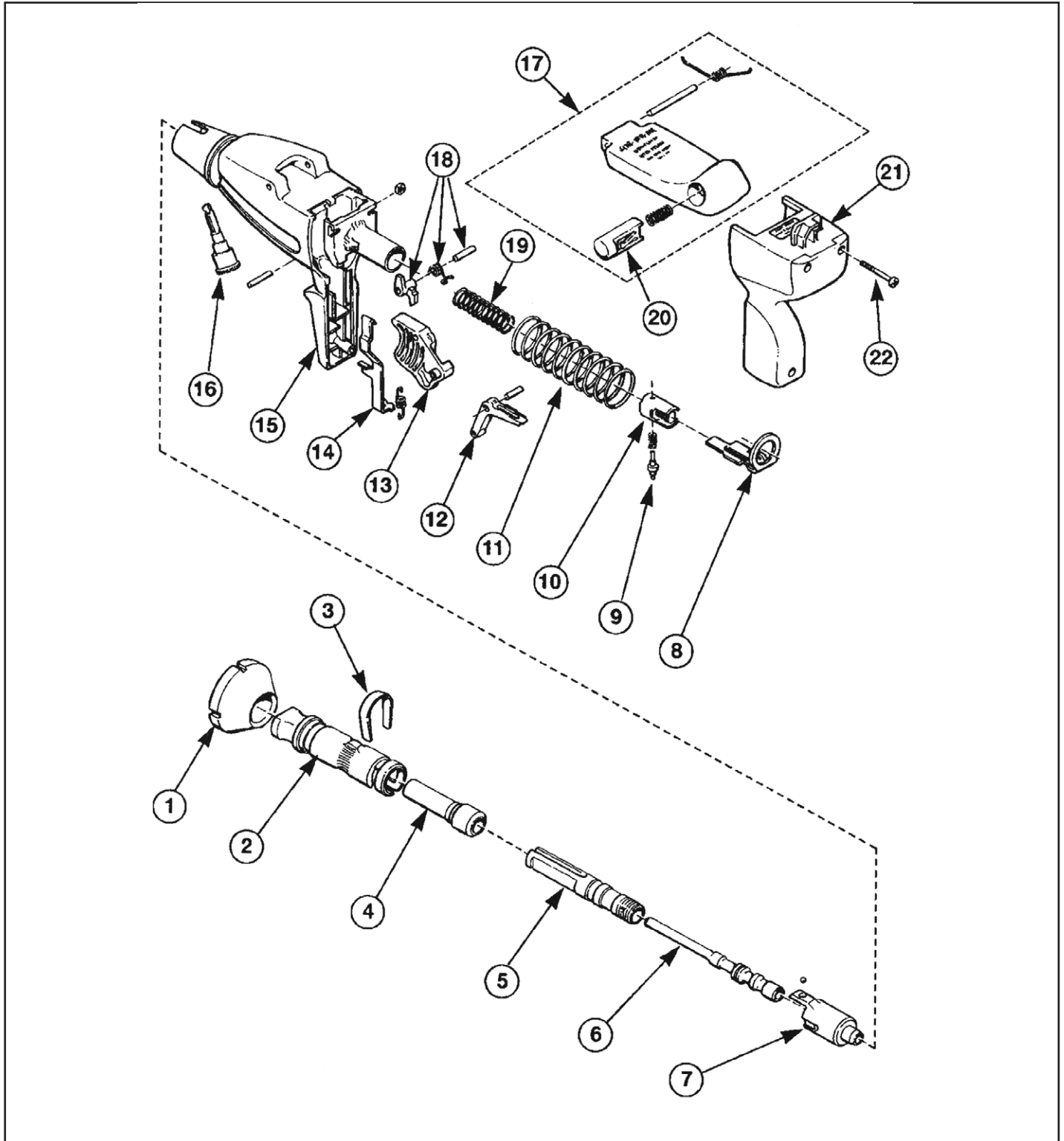
f: 800-529-8680 e: spcustomer.service@itwserviceparts.com

KEY	PART NO.	DESCRIPTION
1	323300	MUZZLE BUSHING ASSEMBLY
2	316520	BUFFER (PKG. OF 3)
3	30645	PISTON
4	323020MA	BARREL RETENTION COLLAR ASSY.
5	316540	PAWL (PKG. OF 2)
6	323390A	BARREL ASSEMBLY
8	308490	LATCH BUTTON ASSEMBLY
9	13510	COVER ASSEMBLY
10	307890	FIRING PIN ASSEMBLY
11	13513	FIRING PIN SPRING
12	335175M	RETURN SPRING
13	323050A	RETENTION CLIP & BEARINGS
14	316570	FIRING PIN PAWL & SPRING
15	13518	INDEXING LEVER & SPRING
16	13516	TRIGGER LOCK ASSEMBLY
17	316580	SEAR ASSEMBLY & PIN
18	309280	REAR HANDLE ASSEMBLY
19	308860	REAR HANDLE SCREWS & NUTS
20	13509	TRIGGER & PIN
21	12266	SPALL GUARD NOT SHOWN
22	351000	MUZZLE BUSHING O RING
23	351001	RETENTION SLEEVE O RING
25	323110	MUZZLE BUSHING SHROUD
26	32330038M	3/8 MUZZLE BUSHING ASSY. (NOT SHOWN)
—	309020	DANGER LABEL, BLACK

The Receiver Assembly is not available as a spare part.

ORDER BY FAX OR EMAIL

f: 800-529-8680 e: spcustomer.service@itwserviceparts.com



ORDER BY FAX OR EMAIL

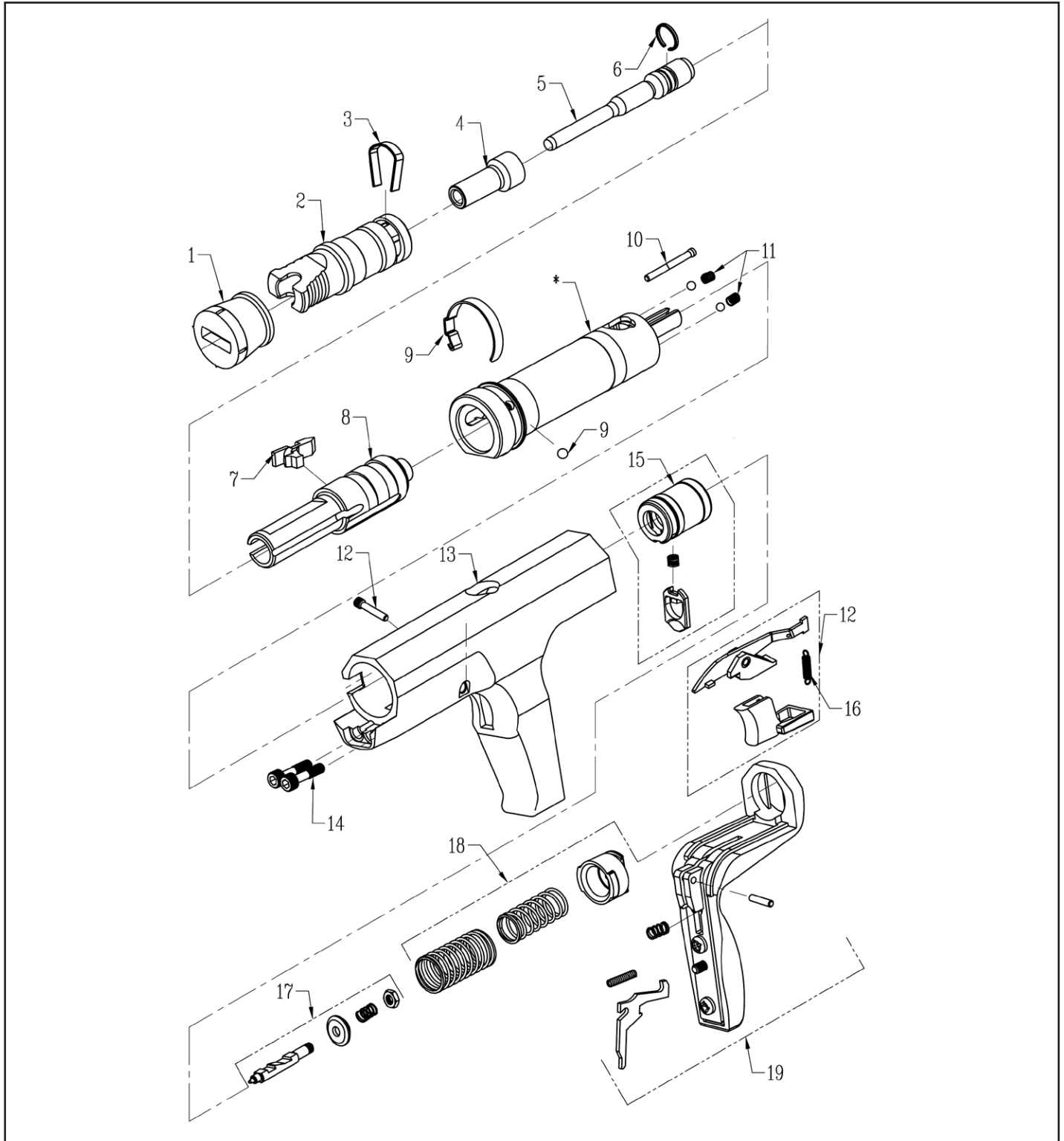
f: 800-529-8680 e: spcustomer.service@itwserviceparts.com

KEY	PART NO.	DESCRIPTION
1	5466405	SPALL GUARD
2	13500	OUTER BARREL SHROUD (FRONT BARREL)
3	135010	OUTER BARREL CLIP (PKG. OF 3)
4	30663	STANDARD MUZZLE BUSHING
5	13504	REAR BARREL
6	30691	PISTON ASSEMBLY
7	13505	LOAD CHAMBER ASSEMBLY
8	307920	COCKING SLIDE
9	308870	FIRING PIN PAWL & SPRING
10	307890	FIRING PIN ASSEMBLY
11	13515	COCKING SLIDE SPRING
12	13517	SEAR ASSEMBLY WITH PIN
13	13509	TRIGGER & PIN
14	13518	LOAD INDEXING LEVER WITH SPRING
16	135220	PAWL ASSEMBLY
17	13510	COVER ASSEMBLY
18	13516	TRIGGER LOCK ASSEMBLY
19	13513	FIRING PIN SPRING
20	308490	LATCH BUTTON ASSEMBLY
21	309280	REAR HANDLE ASSEMBLY
22	308860	REAR HANDLE SCREWS & NUTS
23	13521	BARREL RETENTION BALL & RING
—	309020	DANGER LABEL, BLACK

**The Receiver Assembly is not available as a spare part.

ORDER BY FAX OR EMAIL

f: 800-529-8680 e: spcustomer.service@itwserviceparts.com

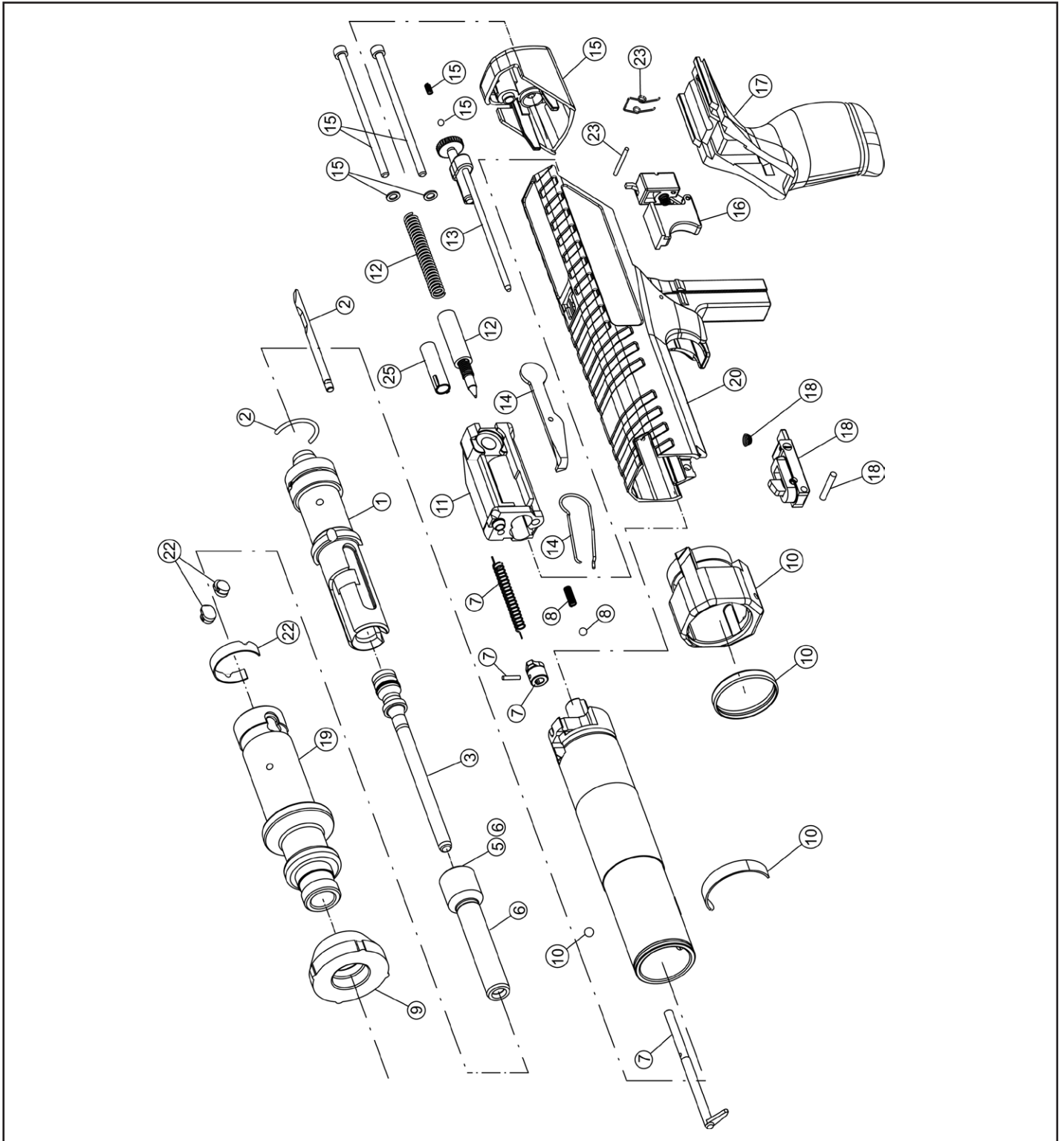


ORDER BY FAX OR EMAIL

f: 800-529-8680 e: spcustomer.service@itwserviceparts.com

KEY	PART NO.	DESCRIPTION
1	SC306053	SPALL GUARD
2	SC326009	FRONT BARREL (BASEPLATE)
3	SC301011A	SHEAR CLIP (PKG. OF 3)
4	SC306010	FASTENER GUIDE
5	SC325207A	PISTON ASSEMBLY
6	SC301208	PISTON RING
7	SC306012	PAWL (STOP)
8	SC325006	REAR BARREL (PISTON SLEEVE)
9	SC306014A	BARREL RETENTION ASSEMBLY
10	SC301016	PUSH PIN
11	SC301046A	DETENT BALL ASSEMBLY
12	SC301034A	TRIGGER ASSEMBLY AND PIN
13	SC325001A	TOOL BODY
14	SC306015	BOLT (2)
15	SC301300A	SEAR HOLDER ASSEMBLY
16	SC301531	SPRING, ADVANCE BAR
17	SC301400	FIRING PIN ASSEMBLY
18	SC301026A	FIRING PIN SPRING ASSEMBLY
19	SC301600	HANDLE ASSEMBLY
—	0318R0030	DANGER LABEL, WHITE

ORDER BY FAX OR EMAILf: 800-529-8680 e: spcustomer.service@itwserviceparts.com



ORDER BY FAX OR EMAIL

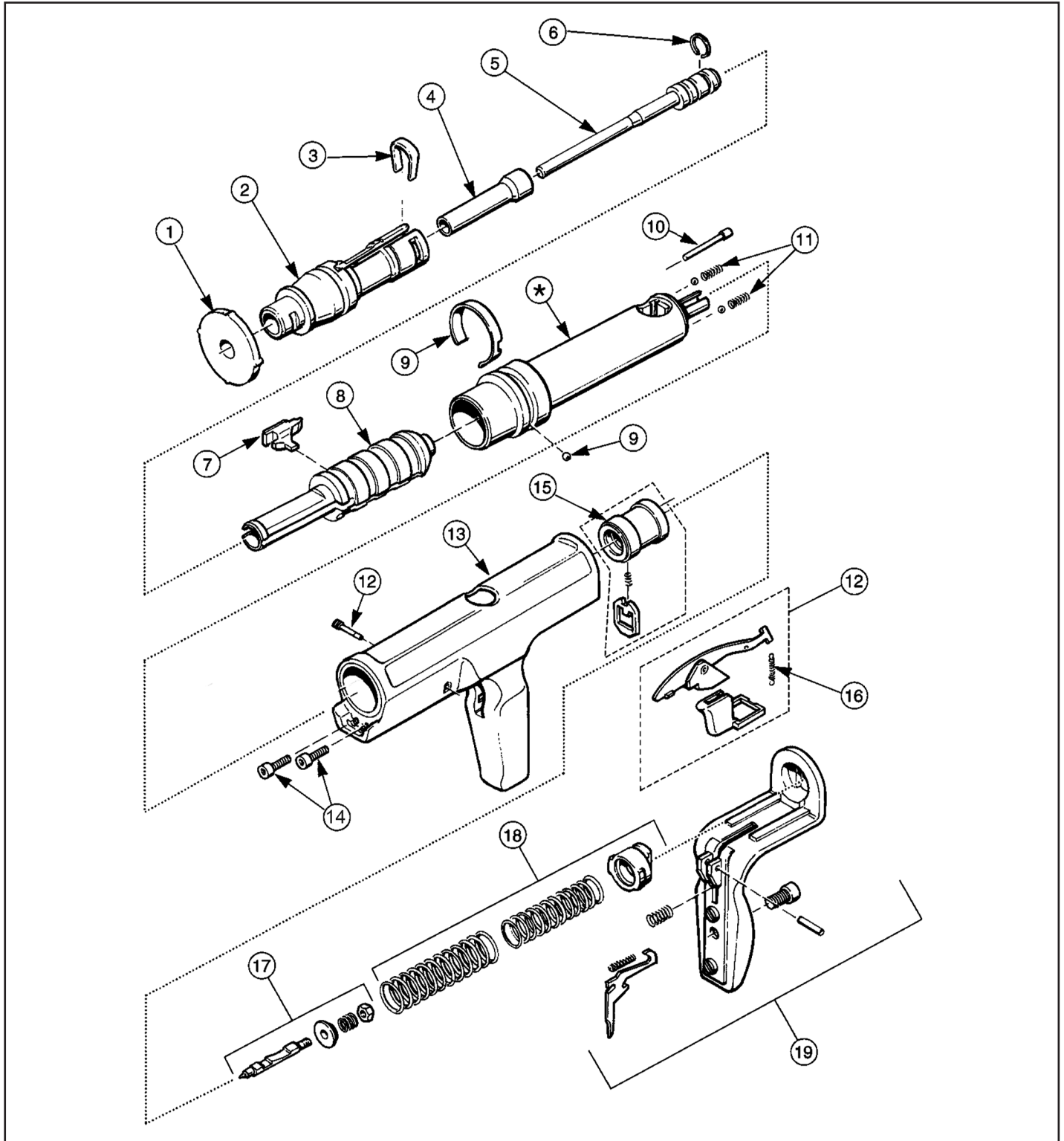
f: 800-529-8680 e: spcustomer.service@itwserviceparts.com

KEY	PART NO.	DESCRIPTION
1	28266	REAR BARREL ASSEMBLY
2	27563A	LOAD ADVANCE ROD ASSEMBLY
3	27833	PISTON WITH RING
5	27834	BUFFER (5)
6	27831	MUZZLE BUSHING ASSEMBLY
7	28310	ROTARY SEAR & COCKING ROD KIT
8	27524A	STRIP DETENT BALL AND SPRING
9	27580	SPALL GUARD
10	27888	FRONT HOUSING KIT
11	28090	MECHANISM HOUSING
12	28157	FIRING PIN KIT
13	28178	POWER ADJUSTMENT KIT
14	27527A	ADVANCE LEVER KIT
15	28135	END CAP KIT
16	27608	TRIGGER KIT
17	28170	RUBBER HANDLE
18	27923	RETRACTOR KIT
19	27664	FRONT BARREL
20	28277	OUTER HOUSING
22	27882	FRONT BARREL RETAINER KIT
23	27516A	TRIGGER PIN & SPRING
25	A1095	MECHANISM HOUSING PLUG

* THE RECEIVER WELDMENT IS NOT AVAILABLE AS A SPARE PART

ORDER BY FAX OR EMAIL

f: 800-529-8680 e: spcustomer.service@itwserviceparts.com



ORDER BY FAX OR EMAIL

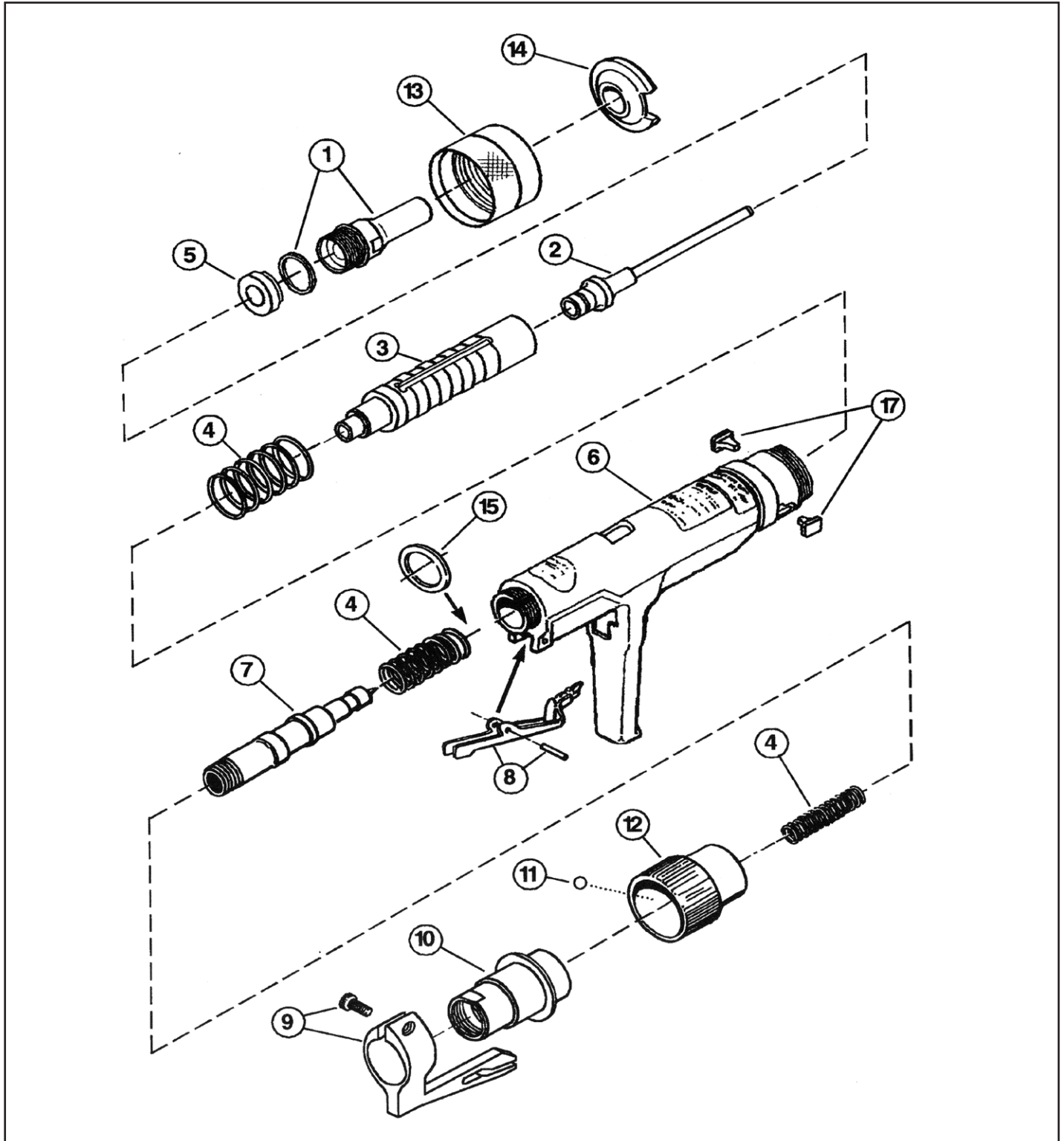
f: 800-529-8680 e: spcustomer.service@itwserviceparts.com

KEY	PART NO.	DESCRIPTION
1	SC301500	SPALL GUARD
2	SC301009	FRONT BARREL
3	SC301011A	SHEAR CLIP (PKG. OF 3)
4	SC301010	FASTENER GUIDE
5	SC301200A	PISTON & RING
6	SC301208	PISTON RING
7	SC301012	PAWL (STOP)
8	SC301006	REAR BARREL (PISTON SLEEVE)
9	SC301014A	BARREL RETENTION ASSEMBLY
10	SC301016	PUSH PIN
11	SC301046A	DETENT BALL ASSEMBLY
12	SC301034A	TRIGGER ASSEMBLY & PIN
13	SC301001	TOOL BODY
14	SC301113	BOLT
15	SC301300A	SEAR HOLDER ASSEMBLY
16	SC301531	SPRING, ADVANCE BAR
17	SC301400	FIRING PIN
18	SC301026A	FIRING PIN SPRING ASSEMBLY
19	SC301600	HANDLE
—	0318R0030	DANGER LABEL, WHITE

THE BARREL LINER IS NOT AVAILABLE AS A SPARE PART

ORDER BY FAX OR EMAIL

f: 800-529-8680 e: spcustomer.service@itwserviceparts.com



ORDER BY FAX OR EMAIL

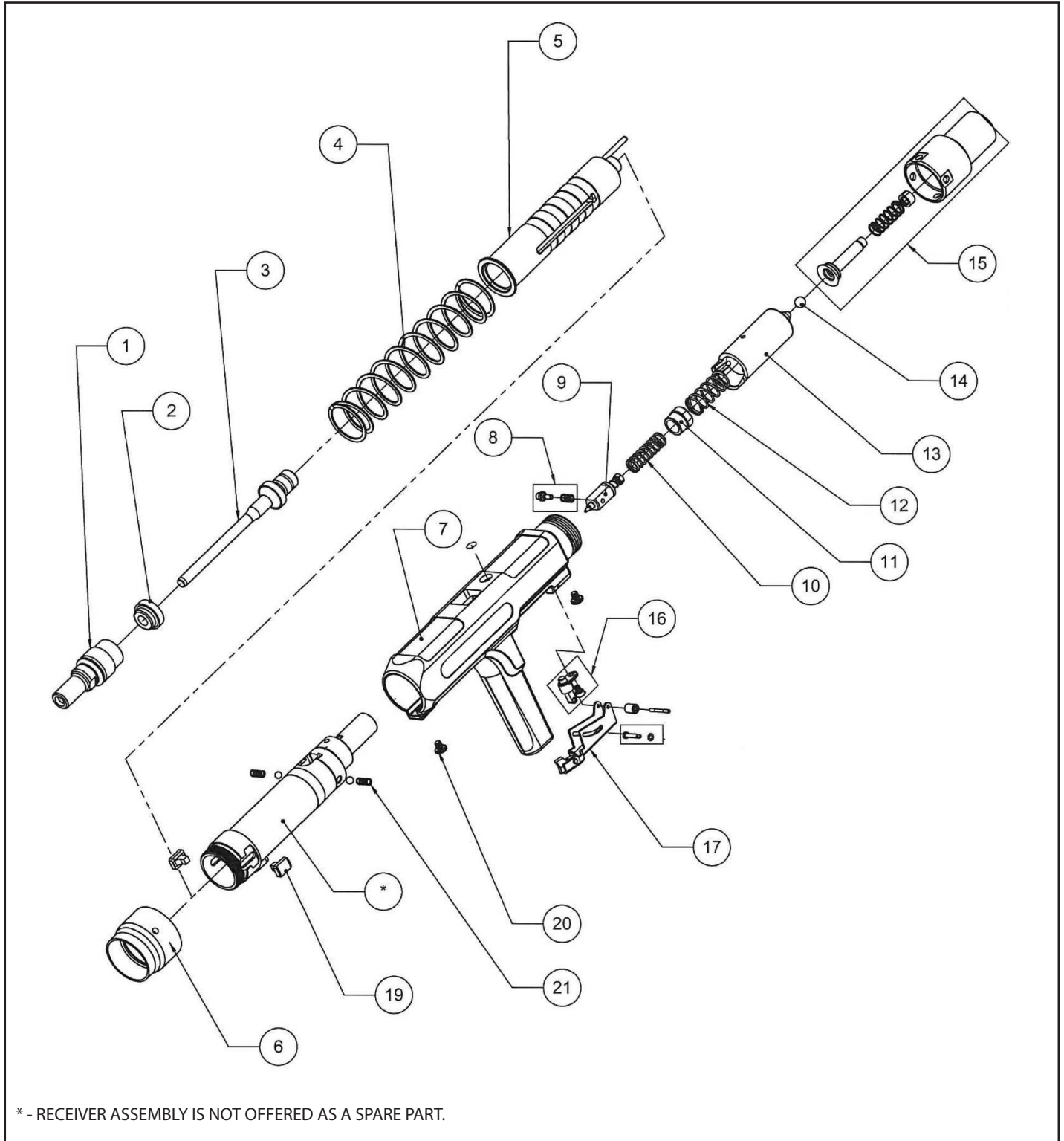
f: 800-529-8680 e: spcustomer.service@itwserviceparts.com

KEY	PART NO.	DESCRIPTION
1	MVP100A	MUZZLE BUSHING
2	MVP140	PISTON
3	MVP150	BARREL
4	MVP21A	SPRINGS
5	MVP110A	BUFFER (PKG. OF 3)
6	MVP101	HOUSING
7	2VP18	FIRING PIN ASSEMBLY
8	MVP500AP	ADVANCE LEVER & PIN
9	MVP600A	ADVANCE LEVER CAM & SCREW
10	MVP028	POLE CONNECTOR
11	2VP11	LOCKOUT BALL
12	2VP29	HANDLE CONNECTOR
13	MVP130	RETAINING COLLAR
14	MVP30	SPALL GUARD
15	2VP33	WAVE WASHER
16	MVP001A	LINER BALLS & SPRINGS
17	316540	PAWLS (PKG.OF 2)
—	0318R0030	DANGER LABEL,WHITE

NOTE: TOOL RECEIVER IS NOT OFFERED AS A SPARE PART

ORDER BY FAX OR EMAIL

f: 800-529-8680 e: spcustomer.service@itwserviceparts.com



ORDER BY FAX OR EMAIL

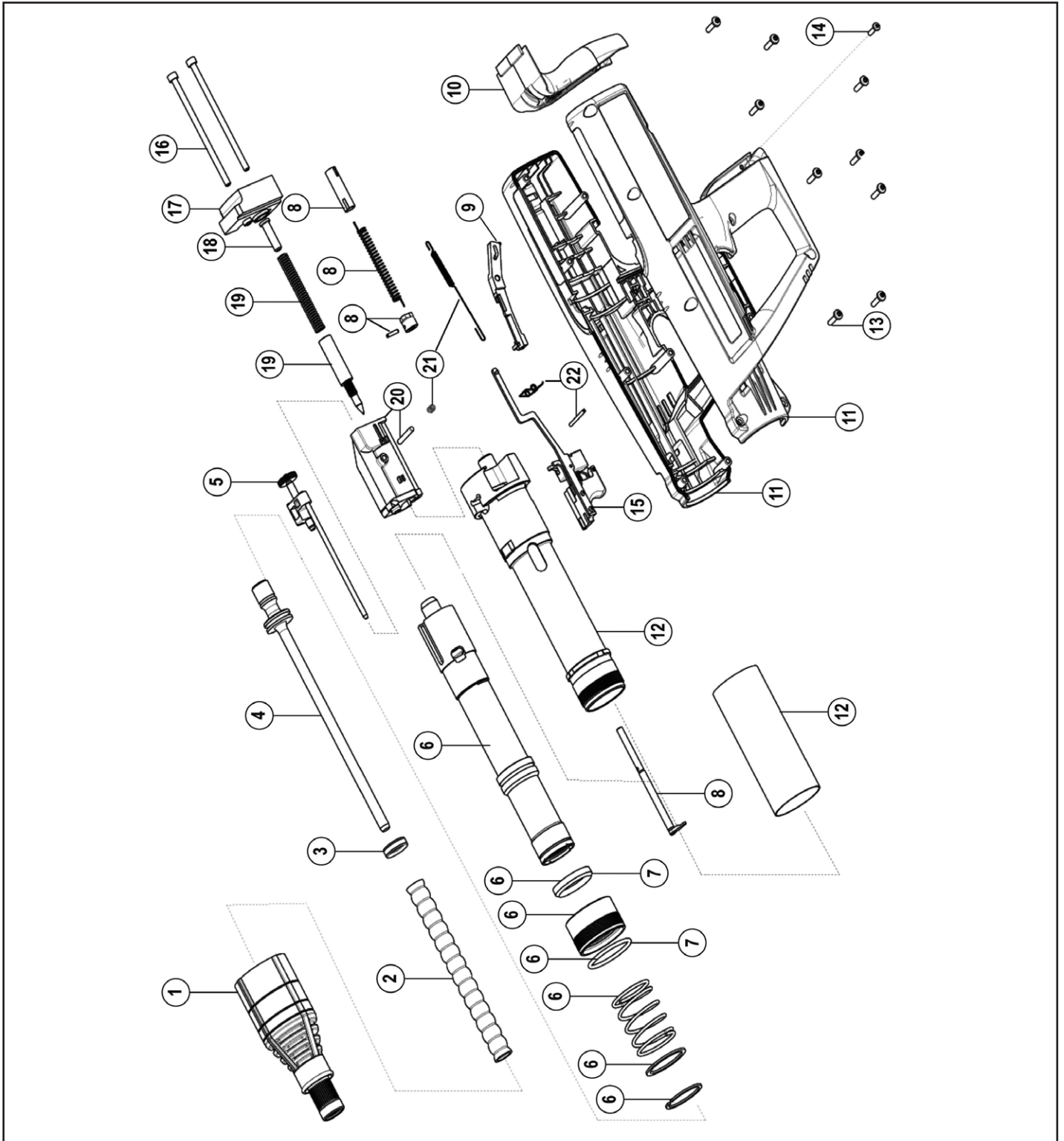
f: 800-529-8680 e: spcustomer.service@itwserviceparts.com

KEY	PART NO.	DESCRIPTION
1	100306	MUZZLE BUSHING
2	MVP110A	BUFFER (PKG. OF 3)
3	MVP140	PISTON
4	100308	RETURN SPRING
5	100290	BARREL ASSEMBLY
6	100307	RETENTION COLLAR
7	100295A	HOUSING ASSEMBLY
8	100292A	FIRING PIN SEAR & SPRING
9	100291	FIRING PIN ASSEMBLY
10	100293	FIRING PIN SPRING
11	100294	FIRING PIN SPRING PLUG
12	100302	TRIGGER SLEEVE SPRING
13	100298	TRIGGER SLEEVE
14	100313	STOP BALL 9MM
15	100310A	BALL RETAINER/COLLAR ASSEMBLY
16	100309A	ADVANCE PIN HOLDER ASSEMBLY
17	100300A	ADVANCE LEVER ASSEMBLY WITH PIN
19	316540	PAWLS (PKG. OF 2)
20	100299A	SCREWS (PKG. OF 5)
21	MVP001A	LINER BALLS & SPRINGS
—	0318R0030	DANGER LABEL, WHITE

VIPER 4 TOOL MUST USE RAMSET V4 SERIES POLE TOOLS!

ORDER BY FAX OR EMAIL

f: 800-529-8680 e: spcustomer.service@itwserviceparts.com



ORDER BY PHONE: 1-800-241-5640

KEY	PART NO.	DESCRIPTION
1	PA37040	FASTENER GUIDE ASSEMBLY
1A	100227	MAGNETIC FASTENER GUIDE ASSM (NOT SHOWN)
2	100167	PISTON RETURN SPRING (PKG OF 2)
3	010983	PISTON BUFFER/INSULATION RING (PKG OF 2)
4	PA37037	PISTON
5	PA37021	POWER ADJUSTMENT ASSEMBLY
6	PA37007	BARREL ASSEMBLY
7	010975	STOP RING KIT
8	PA37015	COCKING ROD KIT
9	PA37016	CHARGE ADVANCE LEVER ASSEMBLY
10	PA37003	RUBBER GRIP
11	PA37001	OUTER HOUSING ASSEMBLY (L & R)
12	N/A	RECEIVER ASSEMBLY
13	PA37009	OUTER HOUSING SCREWS (PKG OF 9)
14	PA37032	HANDLE SCREW (PKG OF 5)
15	PA37017	TRIGGER ASSEMBLY
16	PA37033	END CAP SCREWS (PKG OF 2)
17	PA37004	END CAP
18	PA37030	FIRING PIN SPRING GUIDE
19	PA38160	FIRING PIN ASSEMBLY
20	PA28111	MECHANISM HOUSING ASSEMBLY
21	PA37012	CHARGE ADVANCE SPRING KIT
22	27516A	TRIGGER SEAR SPRING KIT
23	PA37023	SPALL GUARD
—	309020	DANGER LABEL, BLACK

ORDER BY FAX OR EMAILf: 800-529-8680 e: spcustomer.service@itwserviceparts.com

January 1, 2009

GAS TOOLS — 2 year warranty/50,000 shot

TF1100	6 Month:	Piston
T3MAG	10,000	Piston Rings
T3SS	shot	O-rings
T3IF		Bumper
GypFast		
TF1200		
G2		

POWDER ACTUATED TOOLS — 3 year warranty

VIPER	Excludes:	Pistons
SA270-G		Piston Rings
D60		Buffers
D45A		Spring Clips
721		Pawls
XT540		Piston Return Spring

POWDER ACTUATED TOOLS — 1 year warranty

COBRA	Excludes:	Pistons
R25		Piston Rings
		Spring Clips
		Pawls

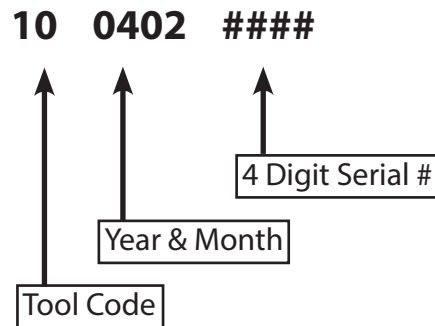
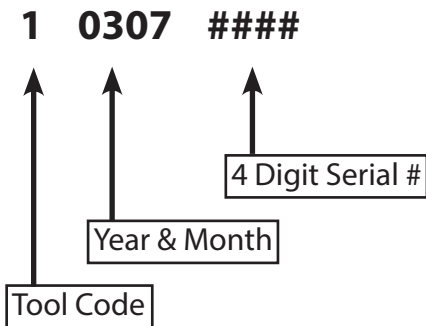
** No warranty on pole tools

** Warranty coverage excludes damage due to abuse or use not in accordance with the operator's safety and operating instruction manual. Warranty offered as long as replacement parts remain available. Warranty period is based off tool build date determined from tool serial number.

ORDER BY PHONE: 1-800-241-5640

TOOL CODE:

- 1 = 721 Tool
- 2 = AutoFast
- 3 = TrakFast
- 4 = D60
- 5 = D45A
- 6 = RT400/Rocket
- 7 = RT400M
- 8 = M150
- 9 = E150
- 10 = T150
- 11 = T2
- 12 = R150
- 14 = T3ss
- 15 = T3MAG
- 16 = GypFast
- 17 = XT540
- 18 = MINI
- 19 = TF1200
- 20 = T3IF
- 21 = G2



ORDER BY FAX OR EMAIL

f: 800-529-8680 e: spcustomer.service@itwserviceparts.com